



# Cartridge Valves Accessories Technical Information

## CP602-5 Hand Pump

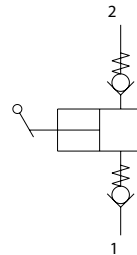
### OPERATION

This is a manually operated uni-directional pump. These small displacement hand pumps are used typically for piloting the operation of small hydraulic cylinders or valves. These pumps can be mounted inline using the standard housing or in custom HICs. For smooth operation, inlet lines should not be excessively long, and the vertical distance between pump and tank level no more than 300 mm (12 inch).

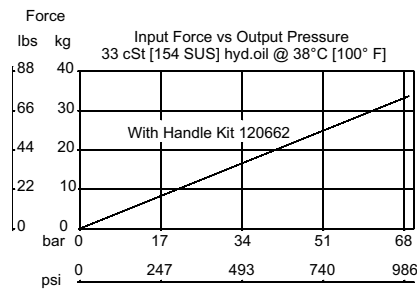
### SPECIFICATIONS

<b>Pressure rating</b>	207 bar [3000 psi]
<b>Displacement</b>	9.2 cm <sup>3</sup> [0.56 in <sup>3</sup> ] / stroke
<b>Leakage</b>	6 drops/ minute @ Rated pressure
<b>Cavity</b>	<b>SDC16-2</b>

### SCHEMATIC



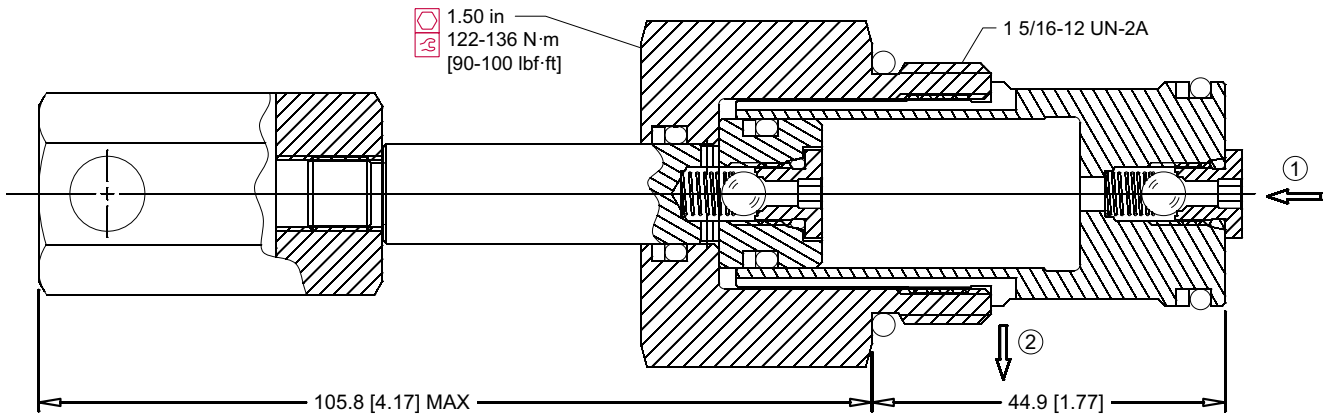
### PERFORMANCE CURVE



### DIMENSIONS

mm [in]

### Cross section



### CP602-5-B-12S

### ORDERING INFORMATION

Seals ————— Sealkit  
 B = Buna-N 120019  
 V = Viton 120030

Housing and Ports

Handle kit is required  
 - sold separately PN - 120662

0 = No Housing  
 6S = #6 SAE  
 8S = #8 SAE  
 12S = AL#12SAE  
 16S = AL#16SAE  
 6B = AL3/4 BSPP  
 8B = AL,1 BSPP  
 Other housings available

Housing P/N  
 No Housing  
 11083731  
 11083691  
 CP16-2-12S  
 CP16-2-16S  
 CP16-2-6B  
 CP16-2-8B