



# Cartridge Valves Accessories Technical Information

## CP600-5 Hand Pump

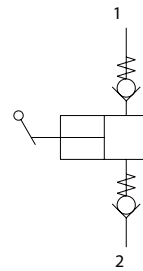
### OPERATION

This is a manually operated uni-directional pump. These small displacement hand pumps are used typically for piloting the operation of small hydraulic cylinders or valves. These pumps can be mounted inline using the standard housing or in custom HICs. For smooth operation, inlet lines should not be excessively long, and the vertical distance between pump and tank level no more than 300 mm (12 inch).

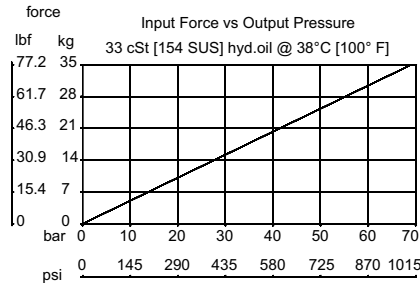
### SPECIFICATIONS

<b>Pressure rating</b>	207 bar [3000 psi]
<b>Displacement</b>	1.2 cu. cm [0.07 cu. in.]/stroke
<b>Leakage</b>	6 drops/min @ Rated pressure
<b>Weight</b>	0.24 kg [0.52 lbs]
<b>Cavity</b>	<b>SDC10-2</b>
<b>Pump force</b>	34N [7.7lbs]

### SCHEMATIC



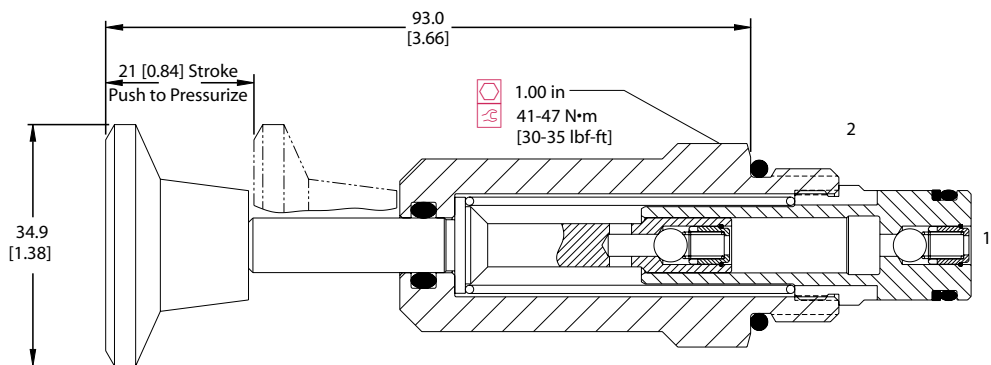
### PERFORMANCE CURVE



### DIMENSIONS

mm [in]

### Cross section



### ORDERING INFORMATION

CP600-5-B-6S			
Seals	Seal kit	Housing & Ports	Housing P/N
B = Buna-N	120015	0 = Cartridge only	No Housing
V = Viton	120016	6S = AL, #6 SAE	CP10-2-6S
		8S = AL, #8 SAE	CP10-2-8S
		DG3B = AL, 3/8 BSPP	SDC10-2-DG-3B
		DG4B = AL, 1/2 BSPP	SDC10-2-DG-4B
		Other housings available	