



# Relief Valves Technical Information

## Direct Acting

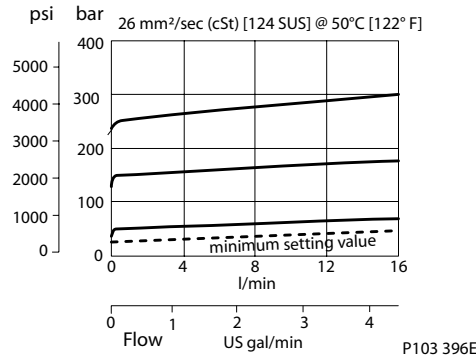
### VME 06

### OPERATION

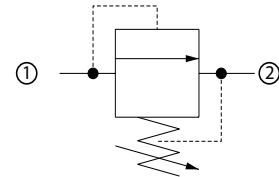
This is a direct-acting, poppet-type relief valve that relieves from 1 to 2. It features a highly damped poppet for smooth and stable response.

### SPECIFICATIONS

#### Theoretical performance



#### Schematic



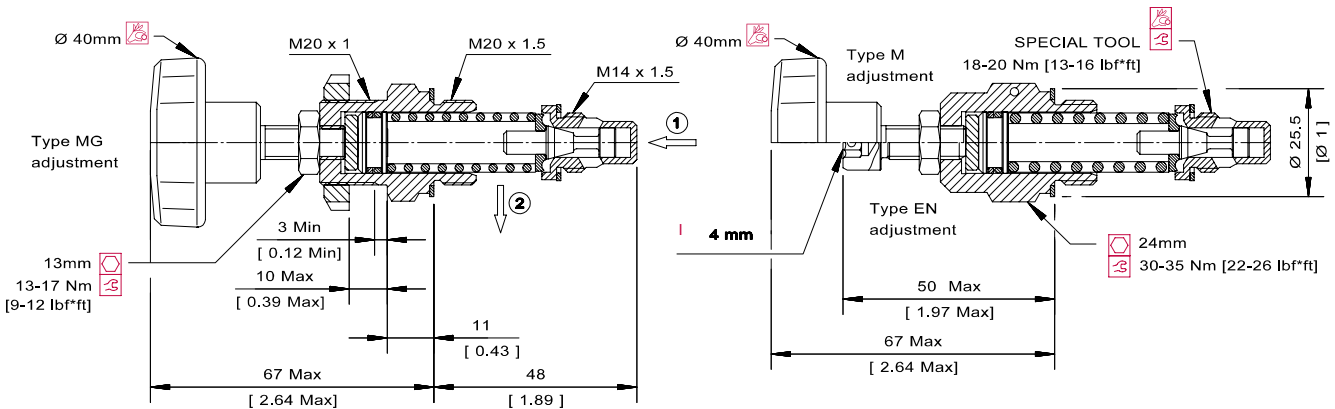
#### Specifications

<b>Rated pressure</b>	315 bar [4500 psi]
<b>Rated flow</b>	40 l/min [11 US gal/min]
<b>Weight</b>	0.13 kg [0.29 lb]
<b>Cavity</b>	<b>VME06</b>

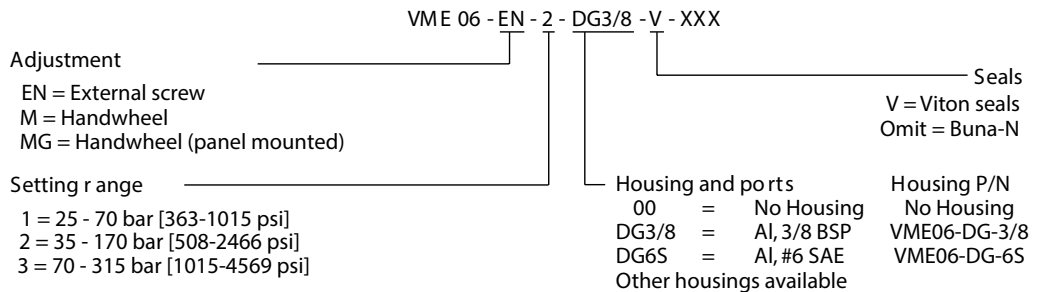
### DIMENSIONS

mm [in]

#### Cross-sectional view



### ORDERING INFORMATION



To order this valve with a specific factory setting, contact your Danfoss ICS representative