



# Relief Valves Technical Information

## Direct Acting

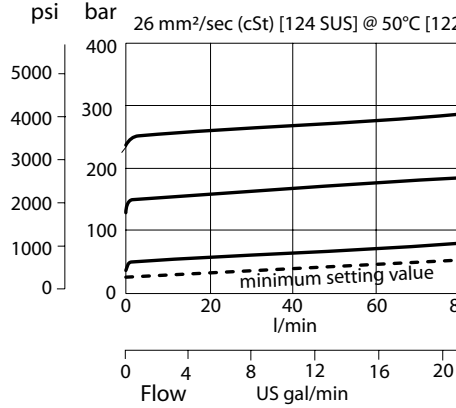
### VME 08

#### OPERATION

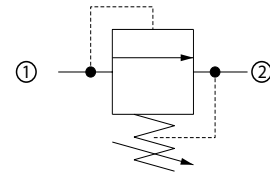
This is a direct-acting, poppet-type relief valve that relieves from 1 to 2. It features a highly damped poppet for smooth and stable response.

#### SPECIFICATIONS

##### Theoretical performance



##### Schematic



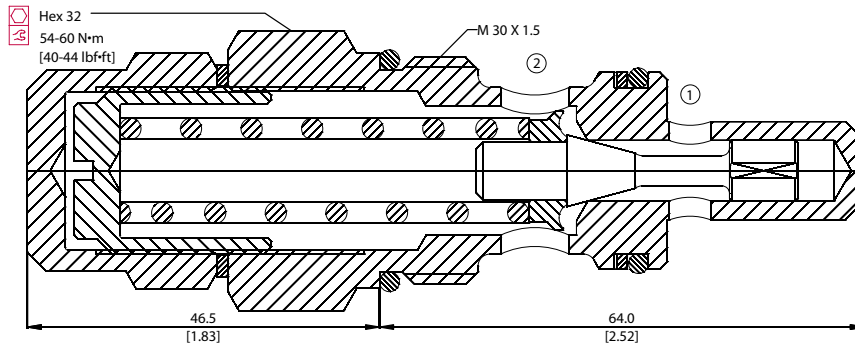
##### Specifications

Rated pressure	315 bar [4500 psi]
Rated flow	80 l/min [21 US gal/min]
Weight	0.35 kg [0.77 lb]
Cavity	VME08

#### DIMENSIONS

mm [in]

##### Cross-sectional view



#### ORDERING INFORMATION

VME 08 - E - 2 - DG3/4 - V - XXX			
Adjustment	Seals	Seal kit	
E = Internal screw	V = Viton	Consult factory	
M = Handwheel	Omit = Buna-N	Consult factory	
Setting range	Housing and ports	Housing P/N	
1 = 25 - 80 bar [363-1160 psi]	00 = No Housing	No Housing	
2 = 35 - 160 bar [508-2321 psi]	DG3/4 = Al, 3/4 BSP	VME08-DG-3/4	
3 = 70 - 315 bar [1015-4569 psi]	DG12S = Al, #12 SAE	VME08-DG-12S	
	Other housings available		

To order this valve with a specific factory setting, contact your Danfoss ICS representative