

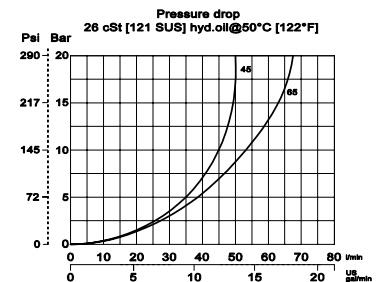
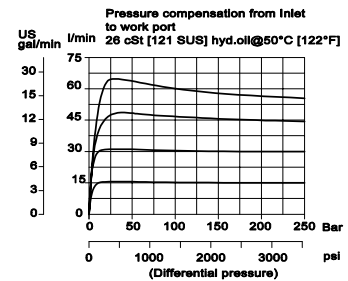
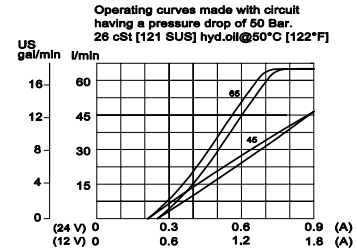
OPERATION

This is a pressure-compensated, restrictive-type, normally-closed, spool-type, proportional flow-control. Controlled flow is from port 1 to 2.

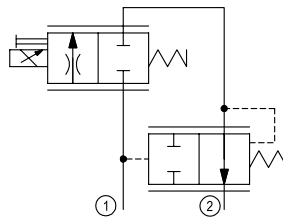
SPECIFICATIONS

Rated pressure	260 bar [3770 psi]
Maximum Flow at rated pressure	PFC12-RC-45: 45 l/min [11.9 US gal/min] PFC12-RC-65: 65 l/min [17.17 US gal/min]
Leakage	420 cm ³ /min [25.6 in ³ /min] @ rated pressure
Weight	0.77 kg [1.70 lb]
Hysteresis	8% maximum
Threshold current	0.3 A (12 VDC coil) 0.15 A (14 VDC coil)
Maximum control current	1.8 A (12 VDC coil) 0.9 A (14 VDC coil)
Cavity	SDC12-2
Standard Coil	D14E(35W) 35 Watt

THEORETICAL PERFORMANCE



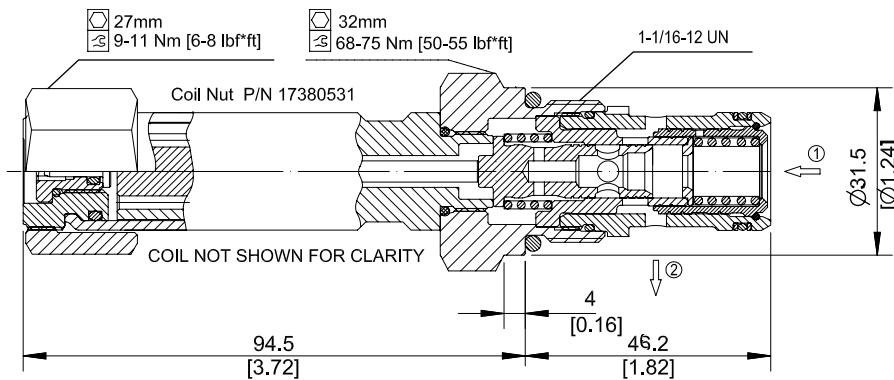
SCHEMATIC



DIMENSIONS

mm [in]

Cross-sectional view



ORDERING INFORMATION

PFC12-RC-65-12D-DE-SPS-B-00

Proportional Flow Control Valve, Pressure Compensated, Restrictive Type, Normally Closed, 12 Size Cavity

Code	Max regulated flow
45	45 l/min
65	65 l/min

Code	Coil Voltage
00	No Coil
12D	12V DC
24D	24 V DC

Code	Coil Termination
00	No Coil
AJ	Amp Junior
DE	Deutsch
DN	DIN 43650

Code	Seal	Seal Kit
B	Buna-N	354008319
V	Viton	354008419

Code*	Manual Override
Omit	Push Pin (Standard)
SPS	Screw Style (Push-Type Valve)

Body & Ports	Body Nomenclature
00 = No housing	No Body
10S = Al, #10 SAE	CP12-2-10S
12S = Al, #12 SAE	CP12-2-12S
DG4B = Al, 1/2 BSP	SDC12-2-DG4B
DG6B = Al, 3/4 BSP	SDC12-2-DG6B
Other housings available	

*PB (Push-Button) available upon request