

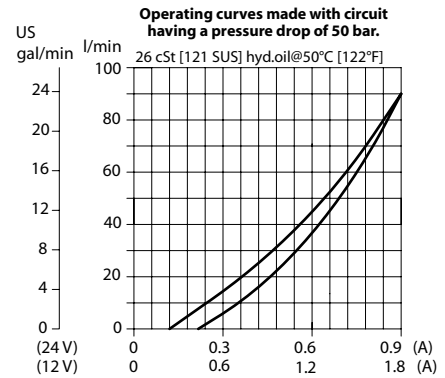
OPERATION

This is a pressure-compensated, restrictive-type, normally-closed, spool-type, proportional Flow control. Controlled flow is from port 1 to 2.

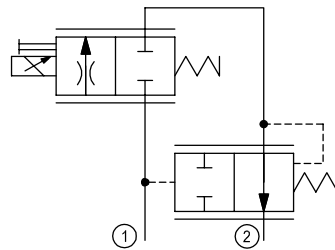
SPECIFICATIONS

Rated pressure	260 bar [3770 psi]
Rated Flow at 260 bar [3771 psi]	90 l/min [24 US gal/min]
Leakage	420 cm ³ /min [25.6 in ³ /min] @ rated pressure
Weight	0.91 kg [2.01 lb]
Hysteresis	8% maximum
Threshold current	0.4 A (12 VDC coil) 0.2 A (24 VDC coil)
Maximum control current	1.8 A (12 VDC coil) 0.9 A (24 VDC coil)
Cavity	SDC16-2
Standard Coil	D14E(35W) 35 Watt

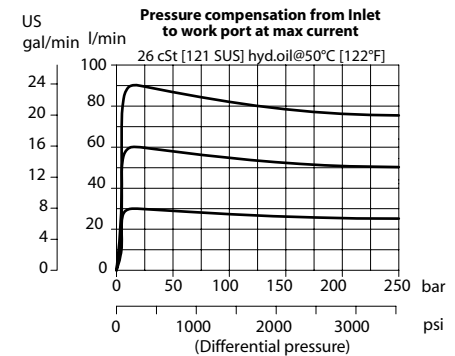
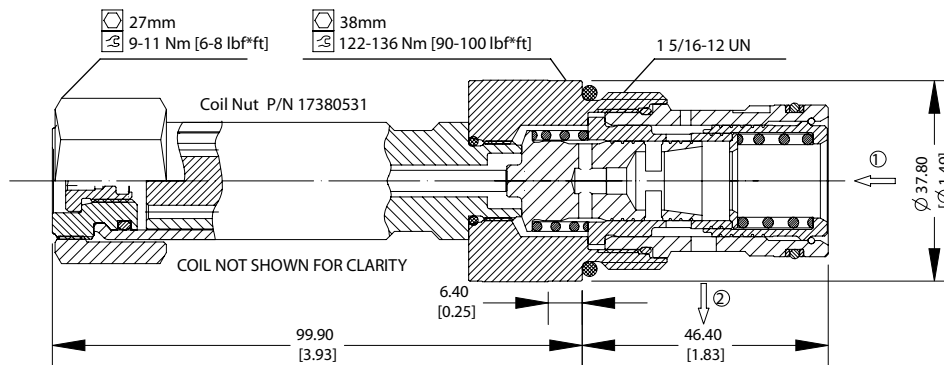
THEORETICAL PERFORMANCE



SCHEMATIC



Cross-sectional view



DIMENSIONS

mm [in]

ORDERING INFORMATION

