



Relief Valves Technical Information

Differential Area

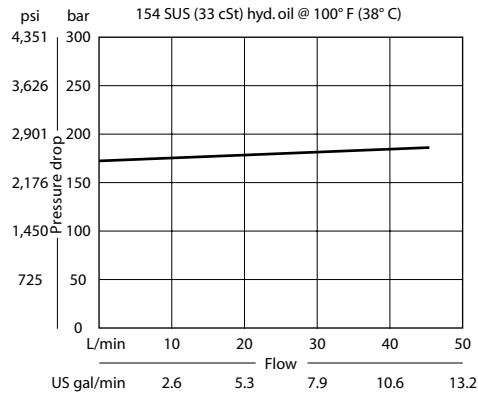
CP200-2

OPERATION

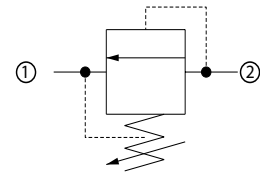
This is a direct acting differential area poppet type relief valve that relieves from 2 to 1.

SPECIFICATIONS

Theoretical performance



Schematic



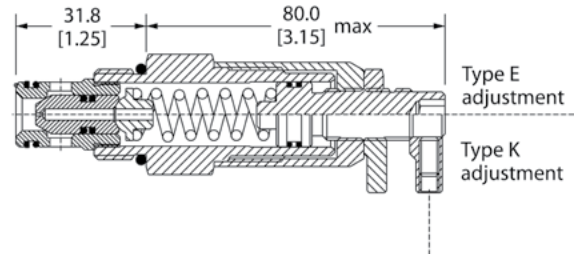
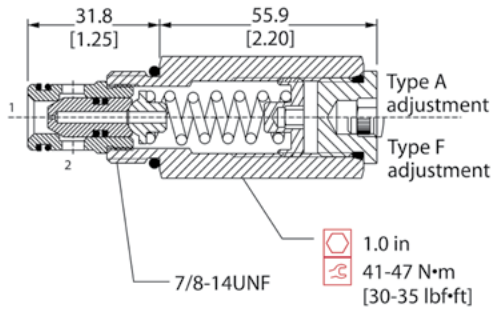
Specifications

Rated pressure	350 bar [5075 psi]
Rated flow	40 l/min [11 US gal/min]
Leakage	10 drops/min @ 80% of crack pressure
Weight	0.21 kg [0.46 lb]
Cavity	SDC10-2

DIMENSIONS

mm [in]

Cross-sectional view



ORDERING INFORMATION

CP200-2 - B - 6S - E - D - 150

Seals

B = Buna-N	Seal kits 120015
V = Viton	120016

Housing and ports

0	=	No Housing
DG3B	=	Al, 3/8 BSP
DG4B	=	Al, 1/2 BSP
6S	=	Al, #6 SAE
8S	=	Al, #8 SAE

Other housings available

Housing P/N

No Housing	SDC10-2-DG-3B
	SDC10-2-DG-4B
	CP10-2-6S
	CP10-2-8S

Adjustment options

A	=	Internal
F	=	Tamper resistant
E	=	External
K	=	Knob

Crack pressure
Code x 10 = psi
Example: 150 = 1500 psi

Adjustment ranges

D = Standard	bar	psi
	69-345	[1000-5000]
	103	[1500]