



Proportional Valves Technical Information

Flow Control, Pressure Compensated, Restrictive Type, Normally Open



PFC12-RO

OPERATION

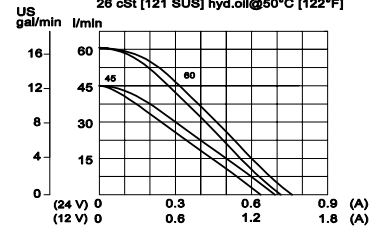
This is a pressure-compensated, restrictive-type, normally-open, spool-type, proportional flow-control. Controlled flow is from port 1 to 2.

SPECIFICATIONS

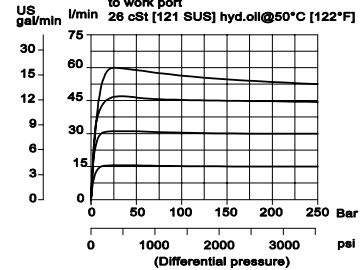
| | |
|---------------------------------------|--|
| Rated pressure | 260 bar [3770 psi] |
| Maximum Flow at rated pressure | PFC12-RO-45: 45 l/min [11.9 US gal/min] PFC12-RO-60: 60 l/min [15.9 US gal/min] |
| Leakage | 420 cm ³ /min [25.6 in ³ /min] @ Rated pressure |
| Weight | 0.77 kg [1.70 lb] |
| Hysteresis | 8% maximum |
| Threshold current | 0.42 A (12 VDC coil) 0.21 A (24 VDC coil) |
| Maximum control current | 1.8 A (12 VDC coil) 0.9 A (24 VDC coil) |
| Cavity | SDC12-2 |
| Standard Coil | D14E(35W) 35 Watt |

THEORETICAL PERFORMANCE

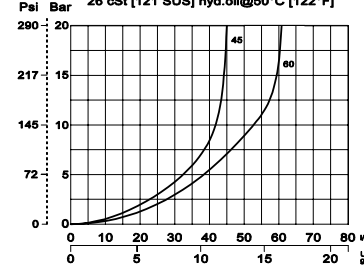
Operating curves made with circuit having a pressure drop of 50 Bar. 26 cSt [121 SUS] hyd.oil@50°C [122°F]



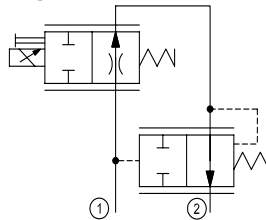
Pressure compensation from Inlet to work port 26 cSt [121 SUS] hyd.oil@50°C [122°F]



Pressure drop 26 cSt [121 SUS] hyd.oil@50°C [122°F]



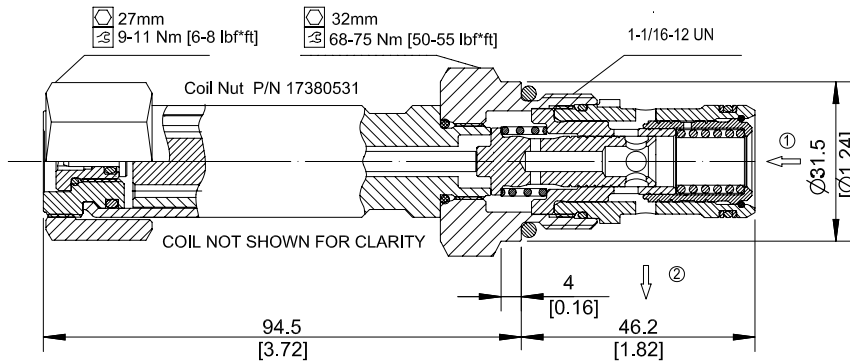
SCHEMATIC



DIMENSIONS

mm [in]

Cross-sectional view



ORDERING INFORMATION

