

PFC16-RO

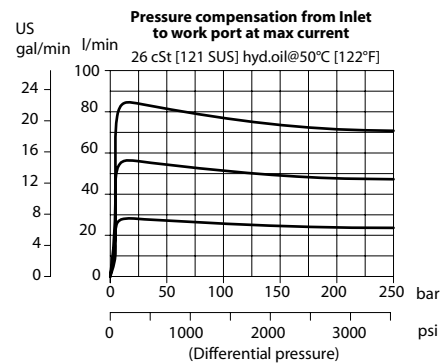
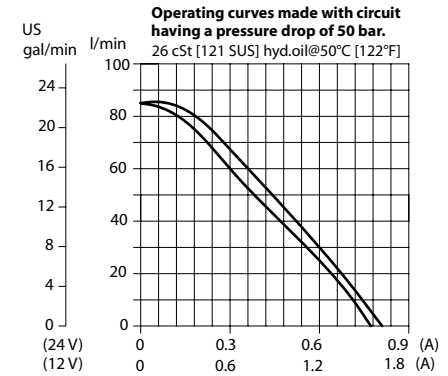
OPERATION

This is a pressure-compensated, restrictive-type, normally-open, spool-type, proportional flow-control. Controlled flow is from port 1 to 2.

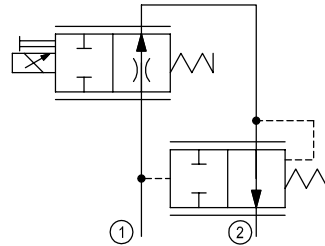
SPECIFICATIONS

Rated pressure	260 bar [3770 psi]
Rated Flow at 260 bar [3771 psi]	85 l/min [22 US gal/min]
Leakage	420 cm ³ /min [25.6 in ³ /min] @ Rated pressure
Weight	0.91 kg [2.01 lb]
Hysteresis	8% maximum
Threshold current	0.2 A (12 VDC coil) 0.1 A (24 VDC coil)
Maximum control current	1.8 A (12 VDC coil) 0.9 A (24 VDC coil)
Cavity	SDC16-2
Standard Coil	D14E(35W) 35 Watt

THEORETICAL PERFORMANCE



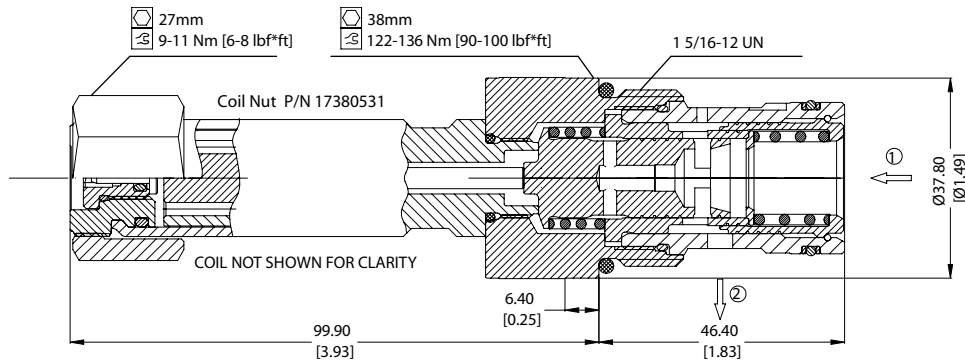
SCHEMATIC



DIMENSIONS

mm [in]

Cross-sectional view



ORDERING INFORMATION

PFC16-RO-85-12D-DE-SPS-B-00

Proportional Flow Control Valve, Pressure Compensated, Restrictive Type, Normally Open, 16 Size Cavity

Code	Max regulated flow
85	85 l/min

Code	Coil Termination
00	No Coil
AJ	Amp Junior
DE	Deutsch
DN	DIN 43650

Code	Coil Voltage
00	No Coil
12D	12V DC
24D	24 V DC

Code	Seal	Seal Kit
B	Buna-N	354008719
V	Viton	354008819

Code*	Manual Override
Omit	Push Pin (Standard)
SPS	Screw Style (Push-Type Valve)

Body & Ports	Body Nomenclature
00 = No housing	No Body
DG6B = Al, 3/4 BSP	SDC16-2-DG-6B
DG8B = Al, 1 BSP	SDC16-2-DG-8B
12S = Al, #12 SAE	CP16-2-12S
16S = Al, #16 SAE	CP16-2-16S
Other housings available	

*PB (Push-Button) available upon request