



# Proportional Valves Technical Information

Flow Control, Pressure Compensated, Priority Type, Normally Closed  
PFC10-PC



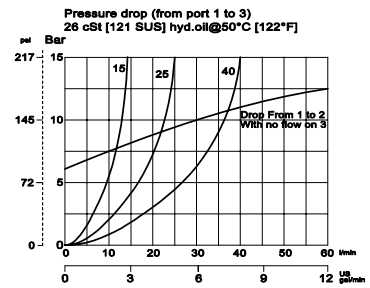
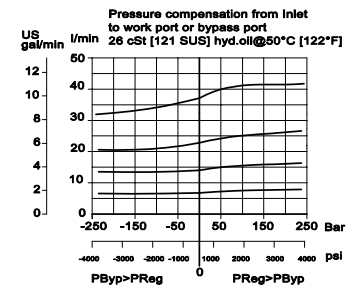
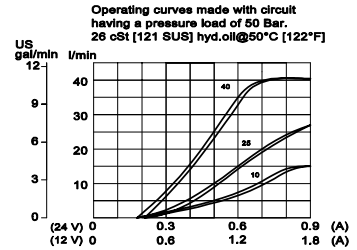
## OPERATION

This is a pressure-compensated, priority-type, normally-closed, spool-type, proportional flow-control. Controlled flow is from port 1 to 3, port 2 is bypass.

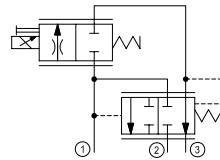
## SPECIFICATIONS

<b>Rated pressure</b>	260 bar [3770 psi]
<b>Maximum flow at rated pressure</b>	PFC10-PC-10: 10 l/min [2.64 US gal/min] PFC10-PC-25: 25 l/min [6.6 US gal/min] PFC10-PC-40: 40 l/min [10.6 US gal/min]
<b>Leakage</b>	420 cm <sup>3</sup> /min [25.6 in <sup>3</sup> /min] @ rated pressure
<b>Weight including coil</b>	0.62 kg [1.37 lb]
<b>Hysteresis</b>	8% maximum
<b>Threshold current</b>	0.36 A (12 VDC coil) 0.18 A (24 VDC coil)
<b>Maximum control current</b>	1.8 A (12 VDC coil) 0.9 A (24 VDC coil)
<b>Cavity</b>	<b>SDC10-3</b>
<b>Standard Coil</b>	<b>M19P 22 Watt</b>

## THEORETICAL PERFORMANCE



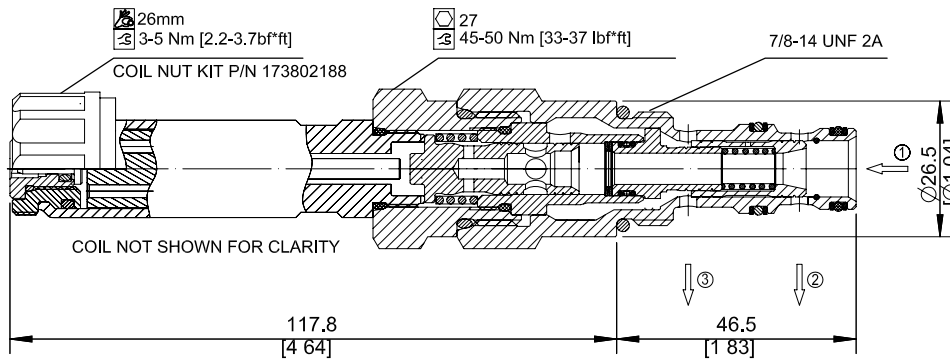
## SCHEMATIC



## DIMENSIONS

mm [in]

## Cross-sectional view



## ORDERING INFORMATION

PFC10-PC-40-12D-DE-SPS-B-00

Proportional Flow Control Valve, Pressure Compensated, Priority Type, Normally Closed, 10 Size Cavity

Code	Max regulated flow
10	10 = 10 l/min
25	25 = 10 l/min
40	40 = 10 l/min

Code	Coil Voltage
00	No Coil
12D	12V DC
24D	24 V DC

Code	Coil Termination
00	No Coil
AJ	Amp Junior
DE	Deutsch
DN	DIN 43650

Code	Seal	Seal Kit
B	Buna-N	35400421
V	Viton	35400371

Code*	Manual Override
Omit	Push Pin (Standard)
SPS	Screw Style (Push-Type Valve)

Body & Ports	Body Nomenclature
00 = No housing	No Body
6S = Al, #8 SAE	CP10-3-6S
8S = Al, #8 SAE	CP10-3-8S
SE3B = Al, 3/8" BSP	SDC10-3-SE3B
SE4B = Al, 1/2" BSP	SDC10-3-SE4B
*Other housings available	

\*PB (Push-Button) available upon request