



Relief Valves Technical Information

Differential Area

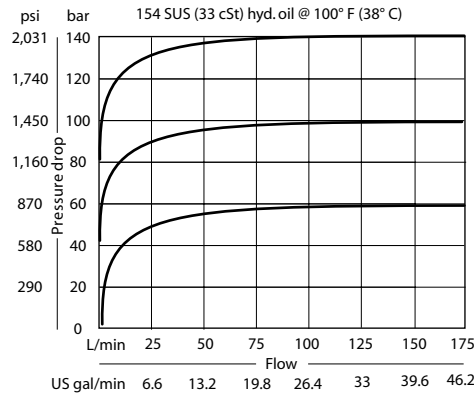
CP201-1

OPERATION

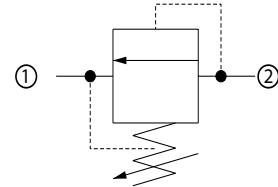
This is a direct acting differential area poppet type relief valve that relieves from 2 to 1.

SPECIFICATIONS

Theoretical performance



Schematic



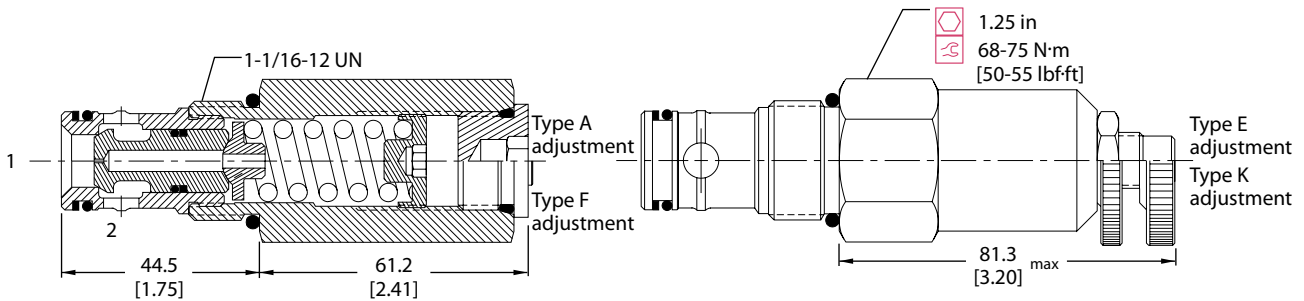
Specifications

Rated pressure	250 bar [3600 psi]
Rated flow	150 l/min [40 US gal/min]
Leakage	10 drops/min @ 80% of pressure setting
Weight	0.42 kg [0.92 lb]
Cavity	CP12-2

DIMENSIONS

mm [in]

Cross-sectional view



ORDERING INFORMATION

CP201 - 1 - B - 12S - A - C - 150

Seals	B = Buna-N V = Viton	Seal kit	120017 120018
Housing and ports	0 = No Housing 4B = AI, 1/2 BSP 6B = AI, 3/4 BSP 10S = AI, #10 SAE 12S = AI, #12 SAE Other housings available	Housing P/N	No Housing CP12-2-4B CP12-2-6B CP12-2-10S CP12-2-12S
Adjustment option	A = Internal E = External F = Tamper resistant K = Knob	Crack pressure	Code x 10 = psi Example: 150 = 1500 psi
		Pressure range	bar [psi]
		A =	7-69 [100-1000]
		Standard	28 [400]
		B =	17-172 [250-2500]
		Standard	69 [1000]
		C =	35-248 [500-3600]
		Standard	103 [1500]