



Proportional Valves Technical Information

Flow Control, Pressure Compensated, Priority Type, Normally Closed
PFC16-PC



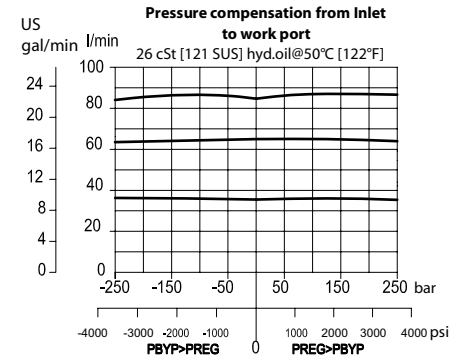
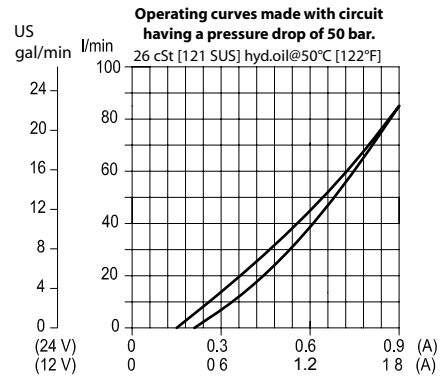
OPERATION

This is a pressure-compensated, priority-type, normally-closed, spool-type, proportional flow-control. Controlled flow is from port 1 to 3, port 2 is bypass.

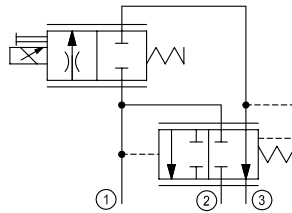
SPECIFICATIONS

Rated pressure	260 bar [3770 psi]
Rated flow at 260 bar [3771 psi]	85 l/min [22 US gal/min]
Leakage	420 cm ³ /min [25.6 in ³ /min] @ rated pressure
Weight	0.97 kg [2.14 lb]
Hysteresis	8% maximum
Threshold current	0.4 A (12 VDC coil) 0.2 A (24 VDC coil)
Maximum control current	1.8 A (12 VDC coil) 0.9 A (24 VDC coil)
Cavity	SDC16-3
Standard Coil	D14E(35W) 35 Watt

THEORETICAL PERFORMANCE



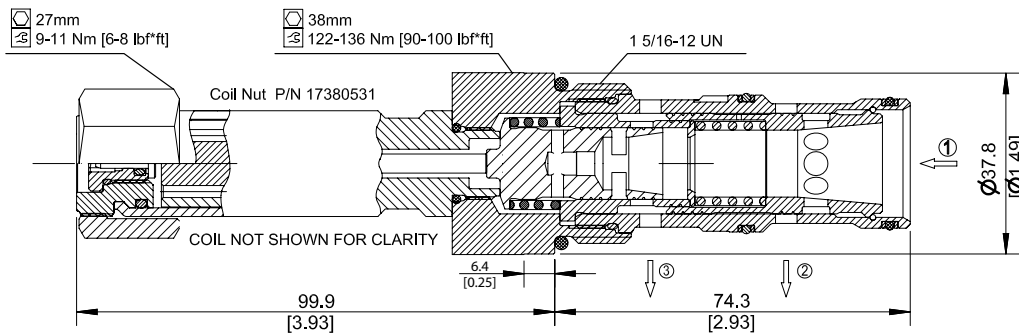
SCHEMATIC



DIMENSIONS

mm [in.]

Cross-sectional view



ORDERING INFORMATION

PFC16 - PC - 85 - 12D - DN - SPS - B - 00

Proportional Flow Control Valve,
Pressure Compensated,
Priority Type, Normally Closed,
16 Size Cavity

Code	Max regulated flow
85	85 l/m

Code	Coil Voltage
00	No Coil
12D	12V DC
24D	24 V DC

Code	Coil Termination
00	No Coil
AJ	Amp Junior
DE	Deutsch
DN	DIN 43650

Code	Seal	Seal Kit
B	Buna-N	354008919
V	Viton	354009019

Code*	Manual Override
Omit	Push Pin (Standard)
SPS	Screw Style (Push-Type Valve)

Body & Ports	Body Nomenclature
00 = No housing	No Body
6B = Al, 3/4 BSP	SDC16-3-HE-6B
8B = Al, 1 BSP	SDC16-3-HE-8B
12S = Al, #12 SAE	CP16-3-12S
16S = Al, #16 SAE	CP16-3-16S
Other housings available	

*PB (Push-Button) available upon request