

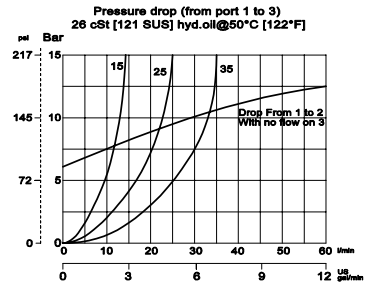
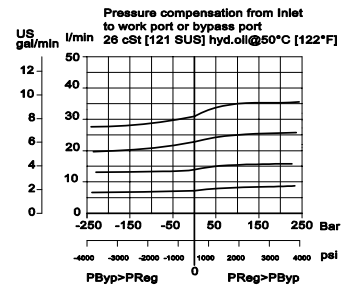
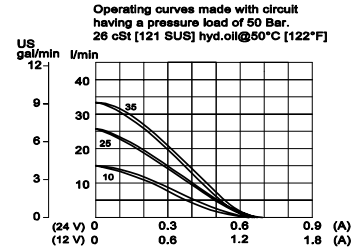
OPERATION

This is a pressure-compensated, priority-type, normally-open, spool-type, proportional flow-control. Controlled flow is from port 1 to 3, port 2 is bypass.

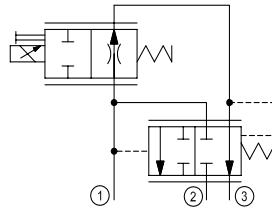
SPECIFICATIONS

Rated pressure	260 bar [3770 psi]
Maximum flow at rated pressure	PFC10-PO-10: 10 l/min [2.64 US gal/min] PFC10-PO-25: 25 l/min [6.6 US gal/min] PFC10-PO-35: 35 l/min [9.25 US gal/min]
Leakage	420 cm ³ /min [25.6 in ³ /min] @ rated pressure
Weight including coil	0.72 kg [1.59 lb]
Hysteresis	8% maximum
Threshold current	0.1 A (12 VDC coil) 0.05 A (24 VDC coil)
Maximum control current	1.8 A (12 VDC coil) 0.9 A (24 VDC coil)
Cavity	SDC10-3
Standard Coil	M19P 22 Watt

THEORETICAL PERFORMANCE



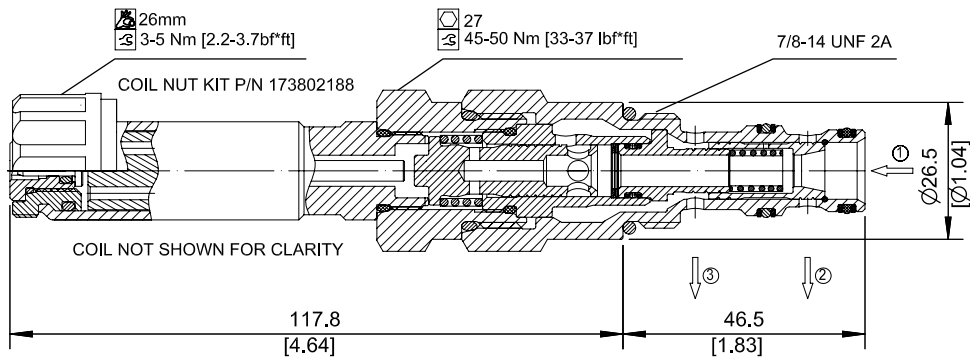
SCHEMATIC



DIMENSIONS

mm [in]

Cross-sectional view



ORDERING INFORMATION

