

PFC12-PC

OPERATION

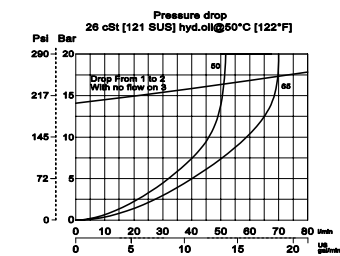
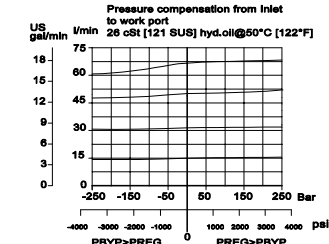
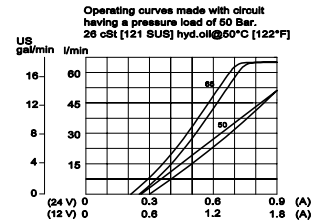
This is a pressure-compensated, priority-type, normally-closed, spool-type, proportional flow-control. Controlled flow is from port 1 to 3, port 2 is bypass.

SPECIFICATIONS

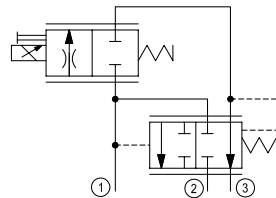
Rated pressure	260 bar [3770 psi]
Maximum flow at rated pressure	PFC12-PC-50: 50 l/min [13.21 US gal/min] PFC12-PC-65: 65 l/min [17.17 US gal/min]
Leakage	420 cm ³ /min [25.6 in ³ /min] @ rated pressure
Weight	0.81 kg [1.79 lb]
Hysteresis	8% maximum
Threshold current	0.5 A (12 VDC coil) 0.25 A (24 VDC coil)
Maximum control current	1.8 A (12 VDC coil) 0.9 A (24 VDC coil)
Cavity	SDC12-3
Standard Coil	D14E(35W) 35 Watt

THEORETICAL PERFORMANCE

REFERENCE



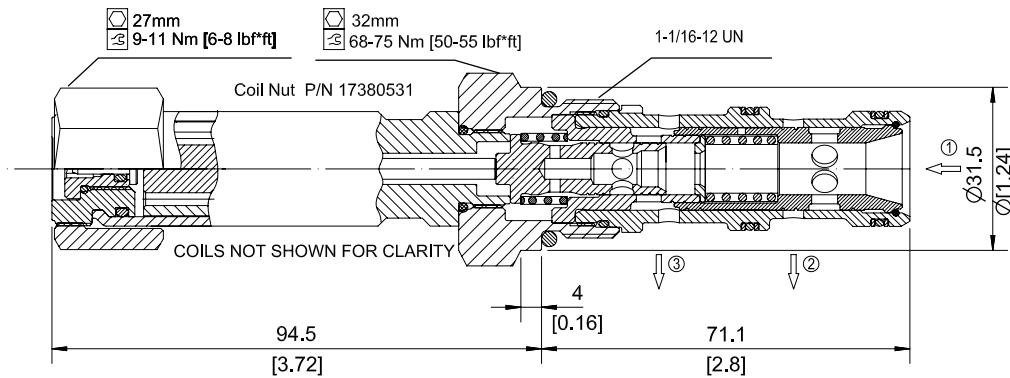
SCHEMATIC



DIMENSIONS

mm [in]

Cross-sectional view



ORDERING INFORMATION

PFC12 - PC - 65 - 12D - DE - SPS - B - 00

Proportional Flow Control Valve, Pressure Compensated, Priority Type, Normally Closed, 12 Size Cavity

Code	Max regulated flow
50	50 l/m
65	65 l/m

Code	Coil Voltage
00	No Coil
AJ	Amp Junior
DE	Deutsch
DN	DIN 43650
24D	24 V DC

Code	Coil Termination
00	No Coil
AJ	Amp Junior
DE	Deutsch
DN	DIN 43650

Code*	Manual Override
Omit	Push Pin (Standard)
SPS	Screw Style (Push-Type Valve)

*PB (Push-Button) available upon request

Code	Seal	Seal Kit
B	Buna-N	354008319
V	Viton	354008419

Body & Ports	Body Nomenclature
00 = No housing	No Body
10S = AL #10 SAE	CP12-3-10S
12S = AL #12 SAE	CP12-3-12S
4B = AL 1/2 BSP	SDC12-3-HE4B
8B = AL 3/4 BSP	SDC12-3-HE8B

Other housings available