



Shuttle Valves Technical Information

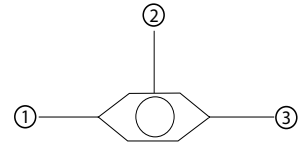
Load Shuttle Valve - Normal Direction

CP128-1

OPERATION

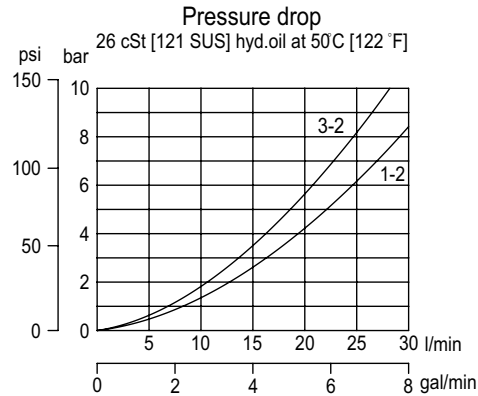
This valve senses the higher of the two input pressures at ports 1 and 3 and routes it to the output port 2.

Schematic



SPECIFICATIONS

Theoretical performance



Specifications

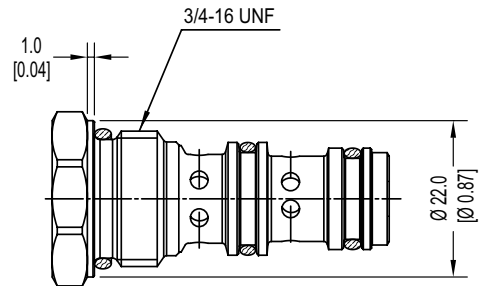
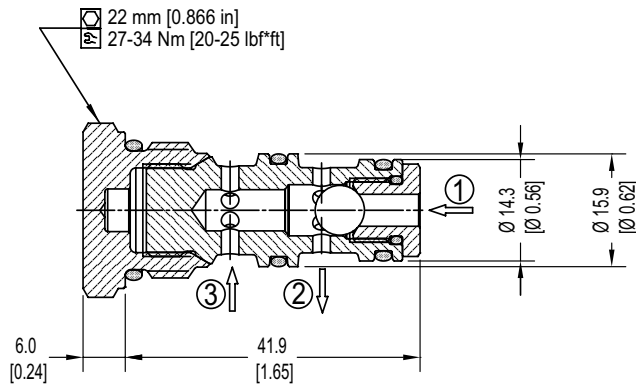
Rated pressure*	315 bar [4570 psi]
Rated flow at 7 bar [100 psi]	22 l/min [5.8 US gal/min]
Leakage	6 drops/min @ Rated pressure
Weight	0.06 kg [0.14 lb]
Cavity	SDC08-3

*Rated pressure based on NFPA fatigue test standard (at 1 million cycles)

DIMENSIONS

mm [in]

Cross-sectional view



ORDERING INFORMATION

CP128-1-B-0

Load Shuttle Valve
Normal Direction

Seal Option	Seal kit
B = Buna-N	120238
V = Viton	120239

Code	Ports & Material	Body Nomenclature
0	0 = Cartridge only	No Body
SE2B	AL, 1/4 BSP	SDC08-3-SE-2B
SE3B	AL, 3/8 BSP	SDC08-3-SE-3B
4S	AL, #4 SAE	CP08-3-4S
6S	AL, #6 SAE	CP08-3-6S

**Aluminum bodies to be used for pressures less than 210 bar (3000 psi)
***Other housings available