



Shuttle Valves Technical Information

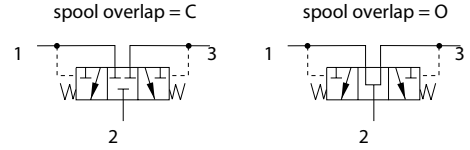
Hot Oil Shuttle

CP721-3

OPERATION

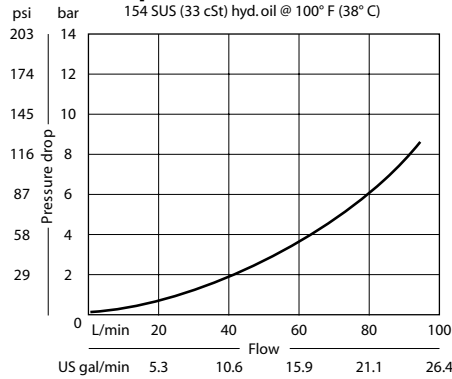
This valve has an internally piloted spool that directs flow from the lower pressure inlet, 1 or 3, to the output at 2.

Schematic



SPECIFICATIONS

Theoretical performance



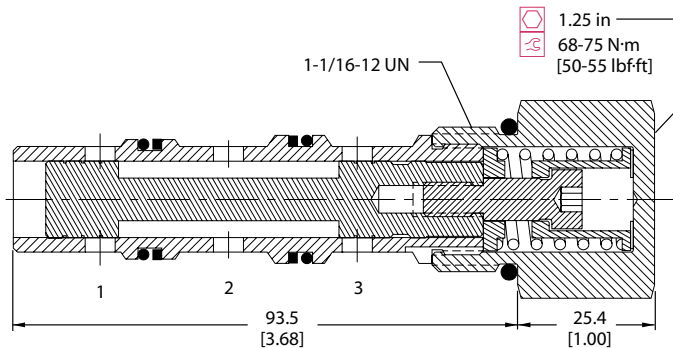
Specifications

Rated pressure	350 bar [5075 psi]
Rated flow at 7 bar [100 psi]	90 l/min [24 US gal/min]
Leakage	82 cm ³ /min [5 in ³ /min] @ 207 bar [3000 psi]
Weight	0.34 kg [0.75 lb]
Cavity	CP12-3M

DIMENSIONS

mm [in]

Cross-sectional view



ORDERING INFORMATION

CP721 - 3 - B - 12S - 100 - C

Seals	Seal kit	Spool overlap
B = Buna-N	120098	O = Open
V = Viton	120099	C = Closed
Housing and ports	Housing P/N	Shift pressure
0 = No Housing	No Housing	025 = 1.6 [25]
4B = AL, 1/2 BSP	CP12-3M-4B	050 = 3.4 [50]
6B = AL, 3/4 BSP	CP12-3M-6B	100 = 6.9 [100]
10S = AL, #10 SAE	CP12-3M-10S	
12S = AL, #12 SAE	CP12-3M-12S	
S12S = Ductile, #12 SAE	CP12-3M-S12S	
Other housings available		