



Relief Valves Technical Information

Differential Area

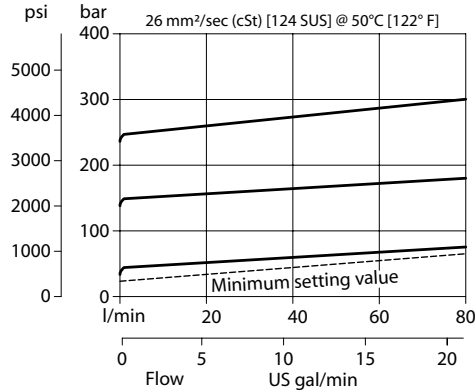
VSB 06-EN

OPERATION

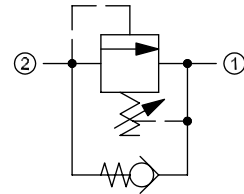
This is a direct-acting, differential area, poppet-type relief valve that relieves from 2 to 1 with an integral free-flow check from 1 to 2.

SPECIFICATIONS

Theoretical performance



Schematic



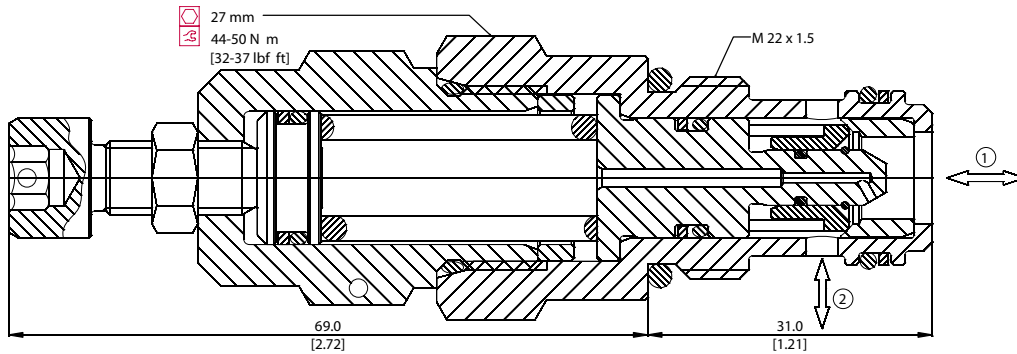
Specifications

Rated pressure	350 bar [5075 psi]
Rated flow	80 l/min [21 US gal/min]
Weight	0.22 kg [0.49 lb]
Cavity	NCS06/2

DIMENSIONS

mm [in]

Cross-sectional view



ORDERING INFORMATION

VSB 06-EN - 1 - 00 - V - XXX

- Setting range
 - 1 = 20 - 80 bar [363 - 2031 psi]
 - 2 = 70 - 210 bar [1015 - 3046 psi]
 - 3 = 105 - 350 bar [1523 - 5076 psi]
- Seals
 - V = Viton
 - Omit = Buna-N
- Housing and ports
 - 00 = No Housing
 - DG3/8 = AL, 3/8 BSP
 - DG1/2 = AL, 1/2 BSP
 - DG6S = AL, #6 SAE
 - DG8S = AL, #8 SAE
 - Other housings available
- Seal Kit
 - 230000380
 - 230000060
- Housing P/N
 - No Housing
 - NCS06/2-DG-3/8
 - NCS06/2-DG-1/2
 - NCS06/2-DG-6S
 - NCS06/2-DG-8S

To order this valve with a specific factory setting, contact your Danfoss ICS representative