



# Relief Valves Technical Information

## Direct Acting

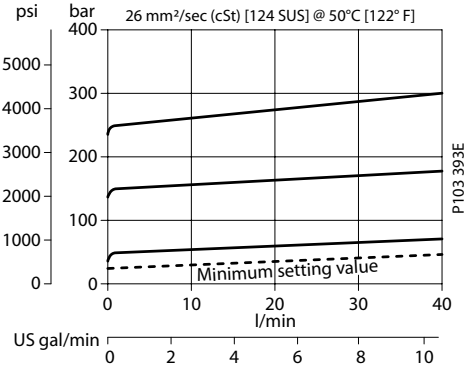
### VEN 06

#### OPERATION

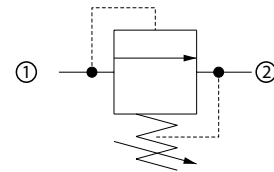
This is a direct-acting, poppet-type relief valve that relieves from 1 to 2. It features a highly damped poppet for smooth and stable response.

#### SPECIFICATIONS

##### Theoretical performance



##### Schematic



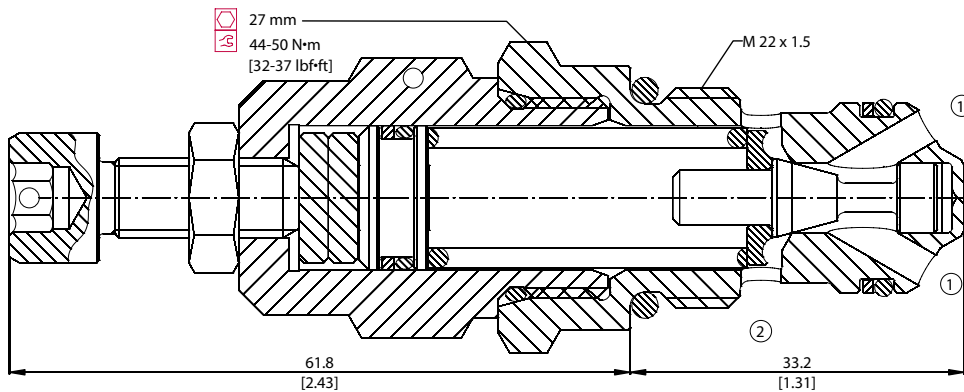
##### Specifications

<b>Rated pressure</b>	315 bar [4500 psi]
<b>Rated flow</b>	40 l/min [11 US gal/min]
<b>Weight</b>	0.20 kg [0.44 lb]
<b>Cavity</b>	<b>NCS06/2</b>

#### DIMENSIONS

mm [in]

##### Cross-sectional view



#### ORDERING INFORMATION

		VEN 06 - M - 1 - DG3/8 - V - XXX			
Type of adjustment	_____	Seals	_____	Seal kit	_____
EN = External screw		V = Viton seals		230000380	
M = Handwheel		Omit = Buna-N		230000060	
Setting range	_____	Housing and ports	_____	Housing P/N	_____
1 = 20 - 80 bar [290 - 1160 psi]		0 = No Housing		No Housing	
2 = 35 - 160 bar [508 - 2321 psi]		DG3/8 = AL, 3/8 BSP		NCS06/2-DG-3/8	
3 = 70 - 315 bar [1015 - 4569 psi]		DG1/2 = AL, 1/2 BSP		NCS06/2-DG-1/2	
		DG6S = AL, #6 SAE		NCS06/2-DG-6S	
		DG8S = AL, #8 SAE		NCS06/2-DG-8S	
		Other housings available			

To order this valve with a specific factory setting, contact your Danfoss ICS representative