



# Sequence Valves Technical Information

## Pilot Operated Spool

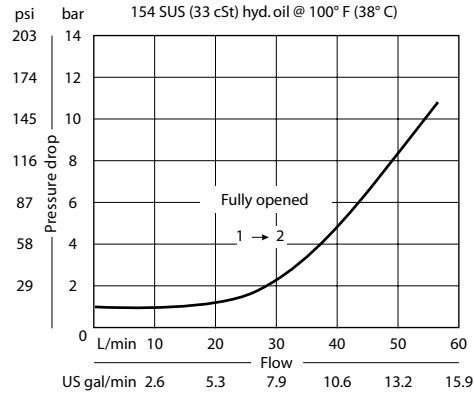
### CP240-21

### OPERATION

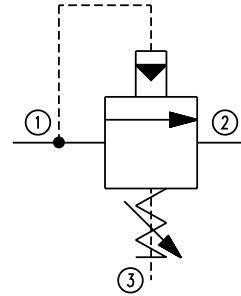
Valve is a pilot-operated sequence valve that blocks flow from 1 to 2 until sufficient pressure is applied at 1.

### SPECIFICATIONS

#### Theoretical performance



#### Schematic



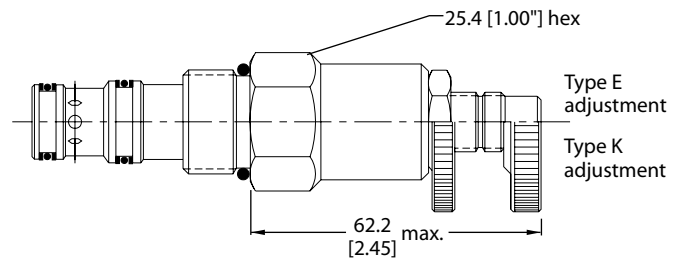
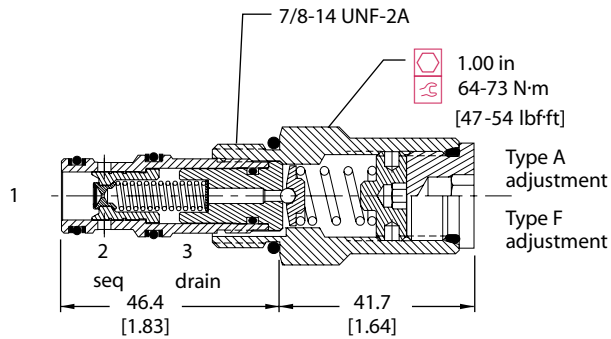
#### Specifications

Rated pressure	350 bar [5075 psi]
Rated flow at 7 bar [100 psi]	45 l/min [12 US gal/min]
Weight	0.23 kg [0.51 lb]
Cavity	SDC10-3

### DIMENSIONS

mm [in]

#### Cross-sectional view



### ORDERING INFORMATION

CP240 - 21 - B - 6S - A - C - 150

#### Seals

B = Buna-N  
V = Viton

Seal kit  
120009  
120010

#### Housing and ports

0 = No Housing  
SE3B = Al, 3/8 BSP  
SE4B = Al, 1/2 BSP  
6S = Al, #6 SAE  
8S = Al, #8 SAE

Other housings available

#### Housing P/N

No Housing  
SDC10-3-SE-3B  
SDC10-3-SE-4B  
CP10-3-6S  
CP10-3-8S

#### Adjustment option

A = Internal  
E = External  
F = Tamper resistant  
K = Knob

#### Crack pressure

Code x 10 = psi  
Example: 150 = 1500 psi

#### Pressure range

	bar	[psi]
A =	14-55	[200-800]
Std. setting	28	[400]
B =	21-103	[300-1500]
Std. setting	69	[1000]
C =	28-207	[400-3000]
Std. setting	103	[1500]
D =	28-345	[400-5000]
Std. setting	103	[1500]