



# Directional Control Valves Technical Information

## Directional Mechanical, Poppet, Pull to Open

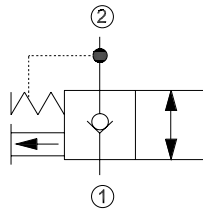
### CP600-1

#### OPERATION

This valve allows free-flow from 1 to 2 and blocks from 2 to 1. It is manually operated with or without knob.

#### SPECIFICATIONS

##### Schematic



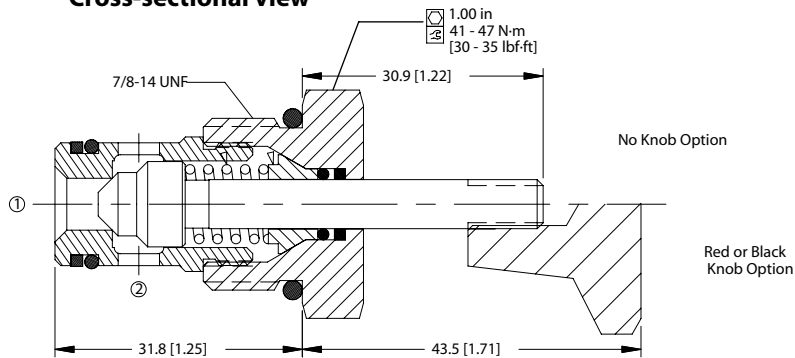
##### Specifications

Rated pressure	207 bar [3000 psi]
Rated flow at 7 bar [100 psi]	68 l/min [18 US gal/min]
Leakage	6 drops/min @ rated pressure
Weight	0.11 kg [0.24 lb]
Cavity	<b>SDC10-2</b>

#### DIMENSIONS

mm [in]

##### Cross-sectional view



#### ORDERING INFORMATION

CP600 - 1 - B - 6S - 00 - K

##### Seal Option

Code	Seal Material	Seal Kit
B	Buna-N	120015
V	Viton	120016

##### Bodies

Code	Ports & Material	Body Nomenclature
00	Cartridge Only	No Body
6S	#6 SAE, AL	CP10-2-6S
8S	#8 SAE, AL	CP10-2-8S
3B	3/8" BSP, AL	SDC10-2-DG-3B
4B	1/2" BSP, AL	SDC16-2-DG-4B

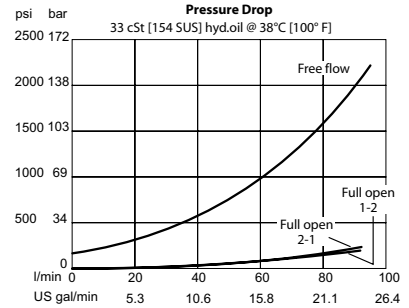
##### Knob Options

Code	Description
28	1/4-28 UNF-2A (NO KNOB)
20	1/4-20 UNF-2A (NO KNOB)
K	BLACK KNOB
R	RED KNOB

##### Force Required to Operate Override

Code	Description	Crack Pressure (1→2)
10	44 N [10 lbf]	13 Bar [183 PSI]
27	120 N [27 lbf]	34 Bar [491 PSI]

#### Theoretical performance



##### Force Required To Operate Override

