



Sequence Valves Technical Information

2-Way, Normally Open

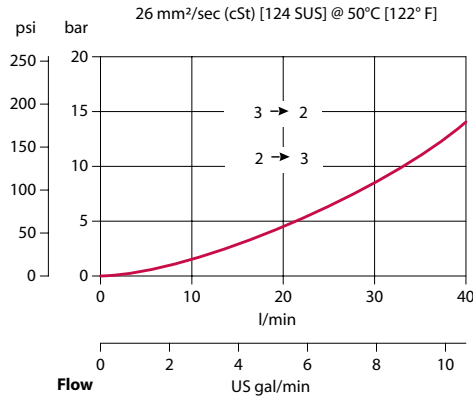
VDP 06/NA

OPERATION

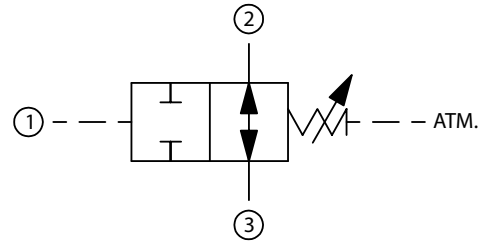
This is a direct-acting, normally-open, spool-type sequence valve with external pilot and atmospheric vent.

SPECIFICATIONS

Theoretical performance



Schematic



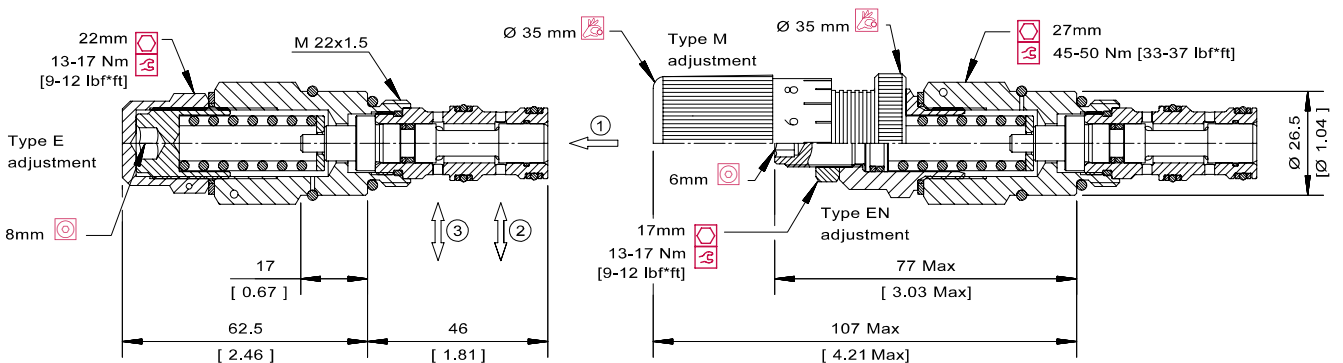
Specifications

Rated pressure	315 bar [4500 psi]
Rated flow at 7 bar [100 psi]	25 l/min [7 US gal/min]
Weight	0.26 kg [0.57 lb]
Cavity	NCS06/3

DIMENSIONS

mm [in]

Cross-sectional view



ORDERING INFORMATION

VDP 06 / NA - EN - 1 - 00 - V

Type of adjustment
E = Internal screw
EN = External screw
M = Handwheel

Setting range

- 1 = 15-40 bar [217-580 psi]
- 2 = 30-120 bar [435-3046 psi]
- 3 = 105-190 bar [1523-2756 psi]

To order this valve with a specific factory setting, contact your Danfoss ICRepresentative

Seals
V = Viton
Omit = Buna-N

Seal kit
230000590
230000430

Housing and ports
00 = No Housing
SE3/8 = AL, 3/8 BSP
SE1/2 = AL, 1/2 BSP
SE6S = AL, #6 SAE
SE8S = AL, #8 SAE
Other housings available

Housing P/N
No Housing
NCS06/3-SE-3/8
NCS06/3-SE-1/2
NCS06/3-SE-6S
NCS06/3-SE-8S