



Sequence Valves Technical Information

2-Way, Normally Closed

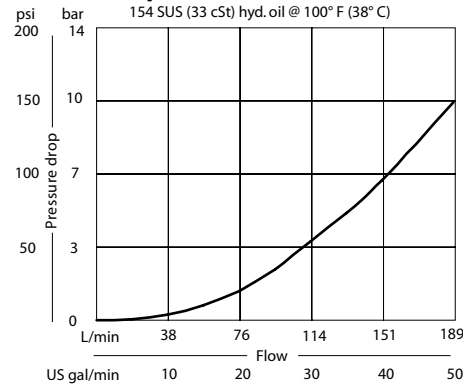
CP241-8

OPERATION

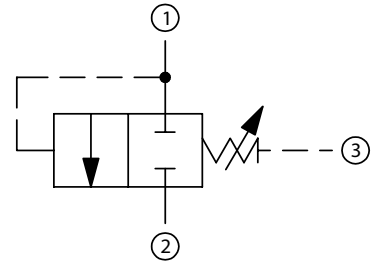
Valve blocks flow from 1 to 2 until sufficient pressure is applied at 1.

SPECIFICATIONS

Theoretical performance



Schematic



Specifications

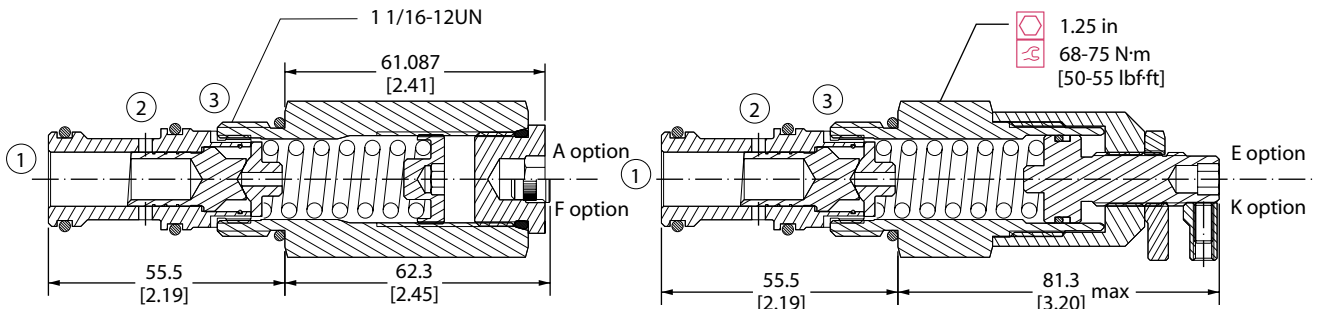
Rated pressure	210 bar [3000 psi]*
Rated flow at 7 bar [100 psi]	150 l/min [39 US gal/min]
Weight	0.41 kg [0.90 lb]
Cavity	CP12-35

*Maximum 1500 psi pressure differential allowed between ports

DIMENSIONS

mm [in]

Cross-sectional view



ORDERING INFORMATION

CP241-8-B-10S-A-C-050

Seals B= Buna-N V= Viton	Seal kit 120680 120681	Pressure range A = 1-10 bar [13-150 psi] B = 3.4-28 bar [50-400 psi] C = 5.5-41 bar [80-600 psi]	Pressure setting Code x 10psi (0.69 bar) Example: 050 = 500 psi (35 bar)
	Housing and ports 0 = No Housing 4B = Al, 1/2 BSP 6B = Al, 3/4 BSP 10S = Al, #10 SAE 12S = Al, #12 SAE Other housings available	Housing P/N No Housing CP12-35-4B/2B CP12-35-6B/2B CP12-35-10S/4S CP12-35-12S/4S	Adjustment option A = Internal E = External F = Tamper resistant K = Knob