



Sequence Valves Technical Information

Pilot Operated Spool

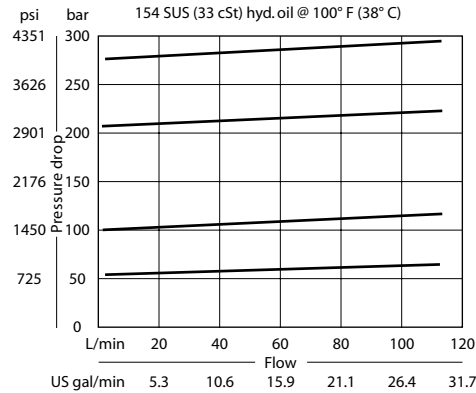
CP241-21

OPERATION

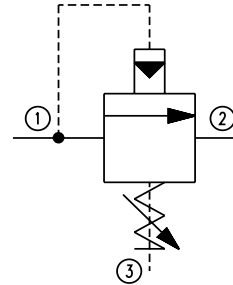
Valve is a pilot-operated sequence valve that blocks flow from 1 to 2 until sufficient pressure is applied at 1.

SPECIFICATIONS

Theoretical performance



Schematic



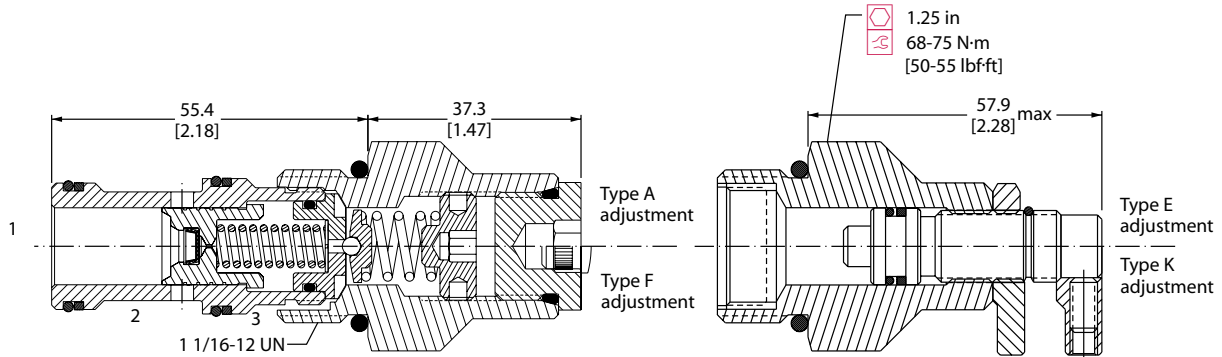
Specifications

Rated pressure	350 bar [5075 psi]
Rated flow at 7 bar [100 psi]	75 l/min [20 US gal/min]
Weight	0.17 kg [0.37 lb]
Cavity	CP12-3S

DIMENSIONS

mm [in]

Cross-sectional view



ORDERING INFORMATION

CP241 - 21 - B - 6S - A - C - 150

Seals
B = Buna-N
V = Viton

Seal kit
120335
120336

Housing and ports
0 = No Housing
4B = Al, 1/2 BSP
6B = Al, 3/4 BSP
10S = Al, #10 SAE
12S = Al, #12 SAE
Other housings available

Housing P/N
No Housing
CP12-3S-4B/2B
CP12-3S-6B/2B
CP12-3S-10S/4S
CP12-3S-12S/4S

Adjustment option
A = Internal
E = External
F = Tamper resistant
K = Knob

Crack pressure
Code x 10 = psi
Example: 150 = 1500 psi

Pressure range

Code	Standard	bar	[psi]
A	28	14-55	[200-800]
B	69	21-103	[300-1500]
C	103	28-207	[400-3000]
D	103	28-345	[400-5000]