



# Sequence Valves Technical Information

## 2-Way, Normally Closed

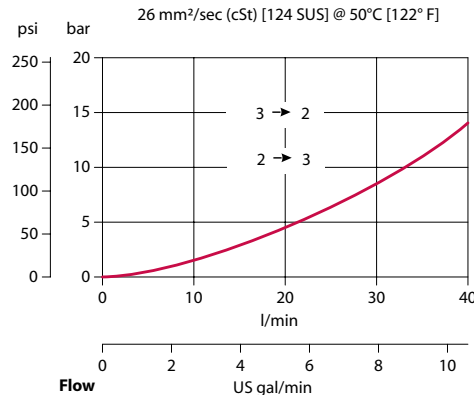
### VDP 06/NC

### OPERATION

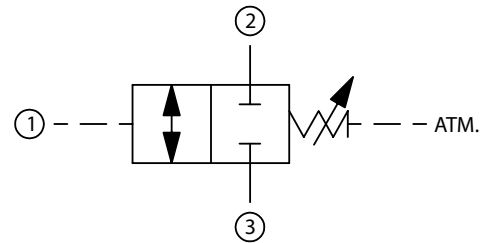
This is a direct-acting, normally-closed, spool-type sequence valve with external pilot and atmospheric vent.

### SPECIFICATIONS

#### Theoretical performance



#### Schematic



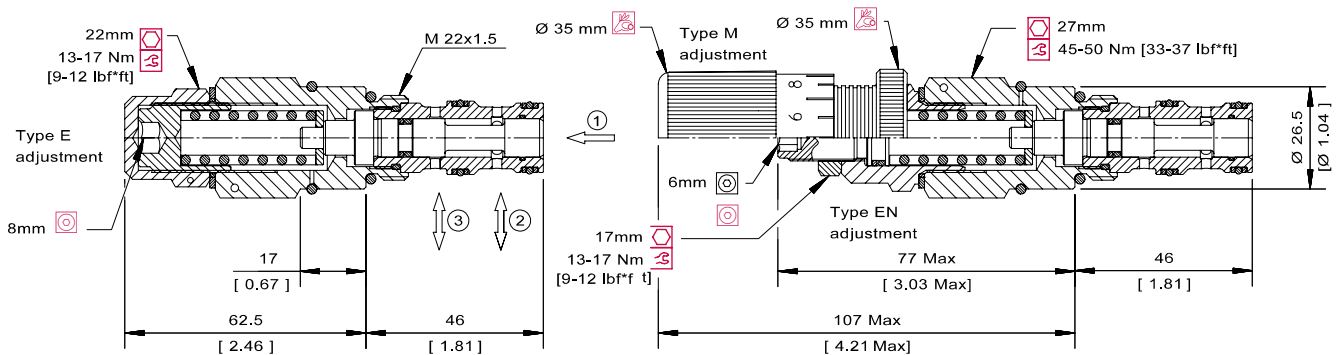
#### Specifications

Rated pressure	315 bar [4500 psi]
Rated flow at 7 bar [100 psi]	25 l/min [7 US gal/min]
Weight	0.26 kg [0.57 lb]
Cavity	<b>NCS06/3</b>

### DIMENSIONS

mm [in]

#### Cross-sectional view



### ORDERING INFORMATION

VDP 06 / NC - EN - 1 - 00 - V

Adjustment  
E = Internal screw  
EN = External screw  
M = Handwheel

Setting range  
1 = 15-40 bar [217-580 psi]  
2 = 30-120 bar [435-1740 psi]  
3 = 105-190 bar [1523-2756 psi]

To order this valve with a specific factory setting, contact your Danfoss ICRepresentative

Seals  
V = Viton  
Omit = Buna-N

Seal kit  
230000059  
230000430

Housing and ports  
00 = No Housing  
SE3/8 = AL, 3/8 BSP  
SE1/2 = AL, 1/2 BSP  
SE6S = AL, #6 SAE  
SE8S = AL, #8 SAE  
Other housings available

Housing P/N  
No Housing  
NCS06/3-SE-3/8  
NCS06/3-SE-1/2  
NCS06/3-SE-6S  
NCS06/3-SE-8S