

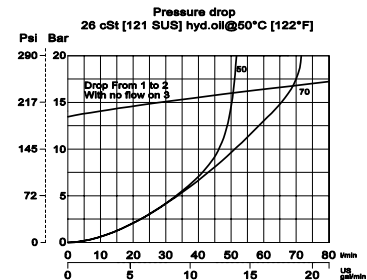
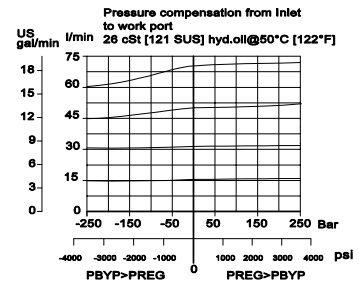
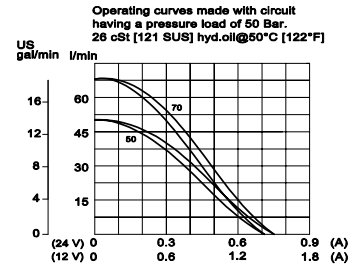
OPERATION

This is a pressure-compensated, priority-type, normally-open, spool-type, proportional flow-control. Controlled flow is from port 1 to 3, port 2 is bypass.

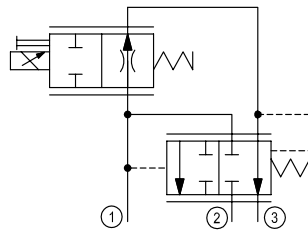
SPECIFICATIONS

Rated pressure	260 bar [3770 psi]
maximum flow at rated pressure	PFC12-PO-50: 50 l/min [13.21 US gal/min] PFC12-PO-70: 70 l/min [8.5 US gal/min]
Leakage	420 cm ³ /min [25.6 in ³ /min] @ rated pressure
Weight	0.81 kg [1.79 lb]
Hysteresis	8% maximum
Threshold current	0.2 A (12 VDC coil) 0.1 A (24 VDC coil)
Maximum control current	1.8 A (12 VDC coil) 0.9 A (24 VDC coil)
Cavity	SDC12-3
Standard Coil	D14E(35W) 35 Watt

THEORETICAL PERFORMANCE



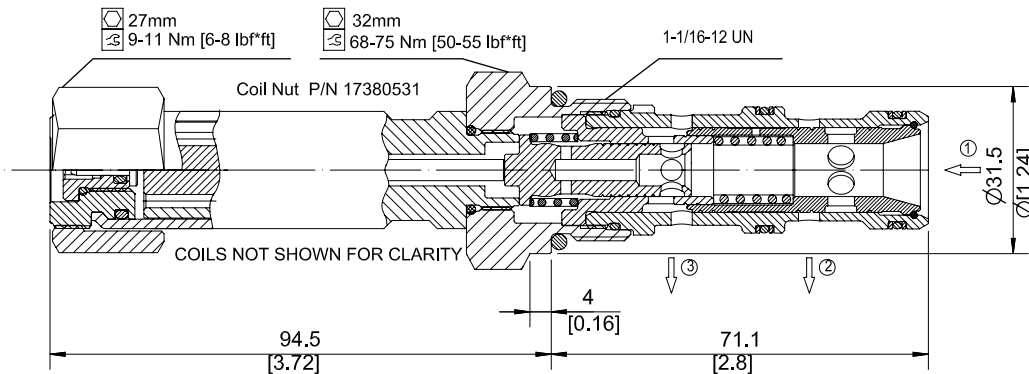
SCHEMATIC



DIMENSIONS

mm [in]

Cross-sectional view



ORDERING INFORMATION

