



Sequence Valves Technical Information

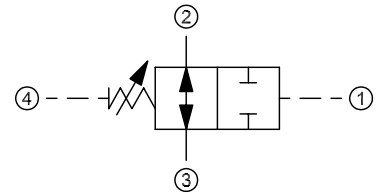
2-Way, Normally Open

CP240-5

OPERATION

Valve allows flow between 2 and 3 until sufficient pressure is applied at 1 to close the valve. Note that pressure at 4 is additive to the spring setting.

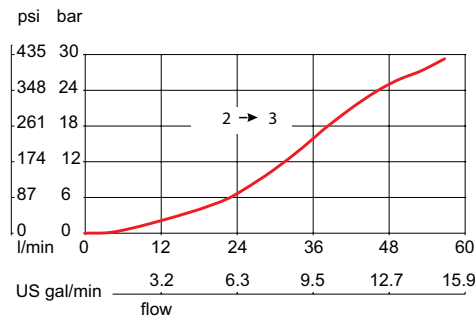
Schematic



SPECIFICATIONS

Theoretical performance

33 cSt [154 SUS] hyd.oil @ 38°C [100° F]



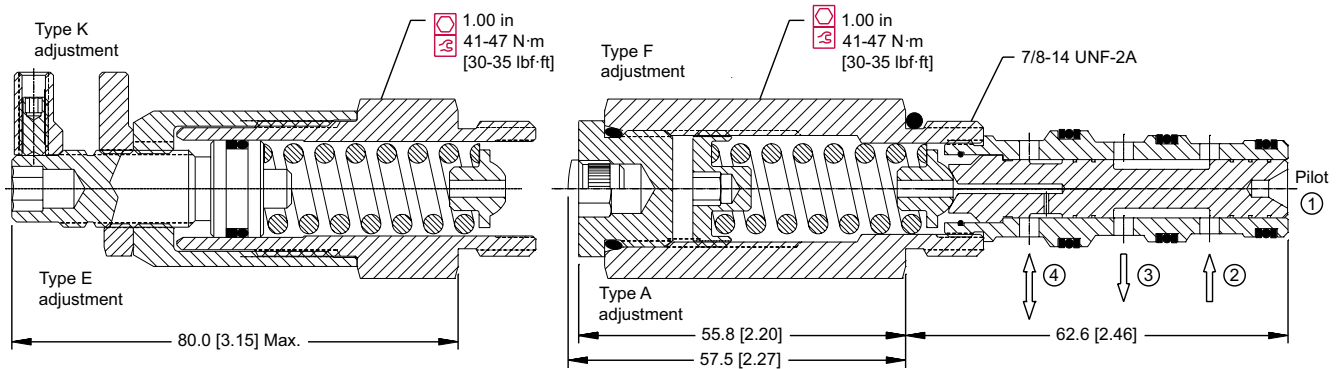
Specifications

Rated pressure	210 bar [3000 psi]
Rated flow at 7 bar [100 psi]	25 l/min [7 US gal/min]
Weight	0.26 kg [0.57 lb]
Cavity	SDC10-4

DIMENSIONS

mm [in]

Cross-sectional view



ORDERING INFORMATION

CP240-5-V-L3B-A-B-050

Seals

Seal kit

B = Buna-N 120023
V = Viton 120024

Housing and ports

0 = No Housing
L3B = AL, 3/8 BSP
L4B = AL, 1/2 BSP
6S = AL, #6 SAE
8S = AL, #8 SAE
Other housings available

Housing P/N

No Housing
SDC10-4-L-3B
SDC10-4-L-4B
SDC10-4-6S
SDC10-4-8S

Sequence Pressure

Code x 0.69 = bar
[Code x 10 = psi]
Example: 050 = 34.5 bar [500 psi]

Pressure range

Code	bar	[psi]
A	3.4 - 27.6	[50 - 400]
B	4.8 - 55.2	[70 - 800]
C	6.9 - 96.5	[100 - 1400]
D	34.5 - 165.5	[500 - 2400]

Adjustment option

A = Internal
E = External
F = Tamper resistant
K = Knob