



Sequence Valves Technical Information

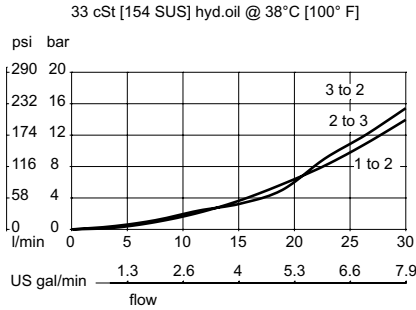
3-Way CP240-9

OPERATION

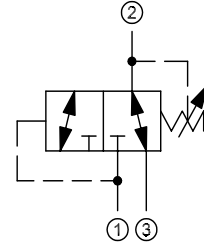
This valve drains 3 to 2 when the pressure at 1 is below the spring setting, and connects 1 to 2 when the pressure at 1 exceeds the spring setting. Note that pressure at 2 is additive to the spring setting.

SPECIFICATIONS

Theoretical performance



Schematic



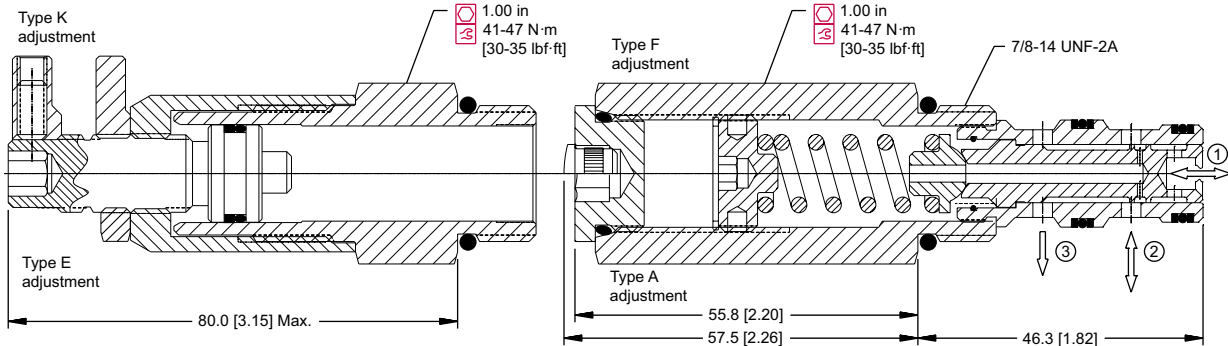
Specifications

Rated pressure	210 bar [3000 psi]
Rated flow at 7 bar [100 psi]	20 l/min [5 US gal/min]
Weight	0.24 kg [0.52 lb]
Cavity	SDC10-3

DIMENSIONS

mm [in]

Cross-sectional view



ORDERING INFORMATION

CP240-9-B-6S-E-A-020

Seals
Seal kit
B = Buna-n 120009
V = Viton 120010

Housing and ports
0 = No Housing
SE3B = Al, 3/8 BSP
SE4B = Al, 1/2 BSP
6S = Al, #6 SAE
8S = Al, #8 SAE
Other housings available

Housing P/N
No Housing
SDC10-3-SE-3B
SDC10-3-SE-4B
CP10-3-6S
CP10-3-8S

Crack Pressure
Code x 0.69 = bar
[Code x 10 = psi]
Example: 020 = 14 bar [200 psi]

Pressure range
bar [psi]
A = 6.9 - 27.6 [100 - 400]
B = 20.7 - 55.2 [300 - 800]
C = 20.7 - 96.5 [300 - 1400]
D = 68.9 - 165.5 [1000 - 2400]

Adjustment option
A = Internal
E = External
F = Tamper resistant
K = Knob