

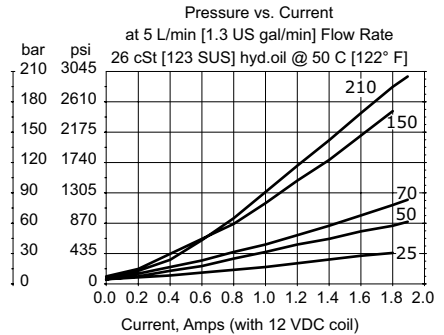
OPERATION

This is a pilot-operated, proportional pressure reducing/relieving valve. With zero current applied, the reduced pressure (port 1) is at a minimum.

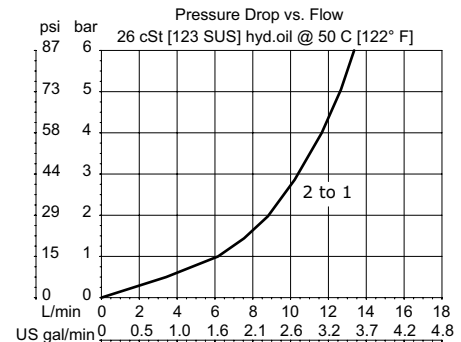
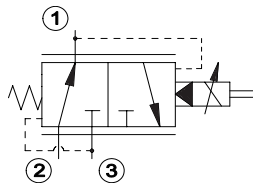
SPECIFICATIONS

| | |
|--------------------------------------|--|
| Rated pressure | 315 bar [4500 psi] |
| Rated flow at 7 bar [100 psi] | 25 l/min [7 US gal/min] |
| Weight | 0.55 kg [1.21 lb] |
| Hysteresis | 3% maximum |
| Threshold current | 0 A (12 VDC coil) 0 A (24 VDC coil) |
| Maximum control current | 1.8 A (12 VDC coil) 0.9 A (24 VDC coil) |
| Cavity | NCS06/3 |
| Standard Coil | M19P 22 Watt |

THEORETICAL PERFORMANCE



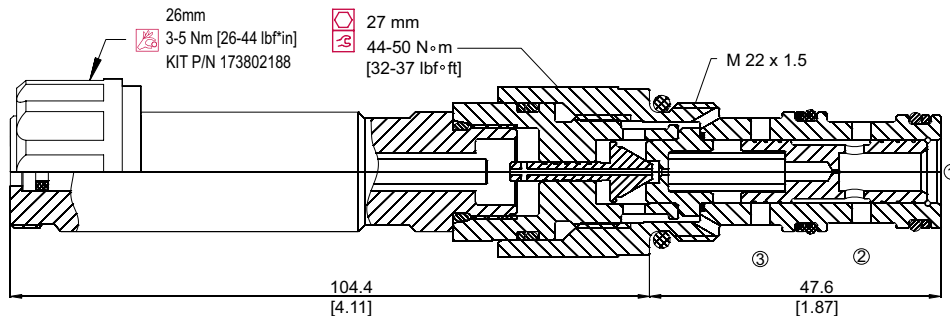
SCHEMATIC



DIMENSIONS

mm [in]

Cross-sectional view



XRP 06 - 70 - 12D - DE - EN - 00 V

ORDERING INFORMATION

Setting range

25 = 6-25 bar [90-360 psi]
50 = 6-55 bar [90-800 psi]
70 = 5-75 bar [90-1100 psi]
150 = 8-155 bar [120-2200 psi]
210 = 9-210 bar [130-3100 psi]

Voltage

00 = No coil
12D = 12VDC
24D = 24VDC

Termination

00 = No connector
AJ = AMP Jr
DE = Deutsch

DN = DIN 43650 (ISO 4400)
DN1 = "DN" w/Connector
FL600 = Lead wires

Seals

V = Viton
Omit = Buna-N

Housing and ports

00 = No Housing
SE6S = AL, #6 SAE
SE8S = AL, #8 SAE
SE3/8 = AL, 3/8 BSP
SE1/2 = AL, 1/2 BSP

Manual override

00 = Push control (Standard)
EN = Screw control

Seals

230000110
230000070

Housing P/N

No Housing
NCS06/3-SE-6S
NCS06/3-SE-8S
NCS06/3-SE-3/8
NCS06/3-SE-1/2