



Sequence Valves Technical Information

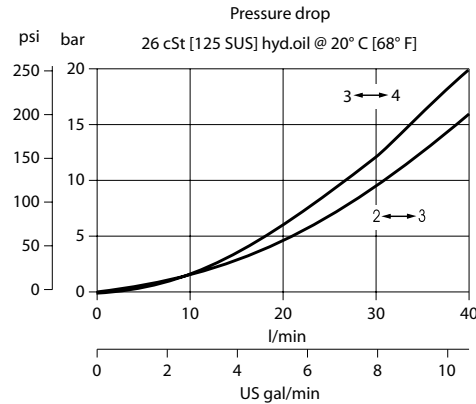
3-Way
VDP 06/4201

OPERATION

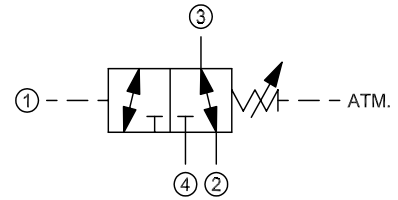
This is a direct-acting, spool-type sequence valve with external pilot and atmospheric vent.

SPECIFICATIONS

Theoretical performance



Schematic



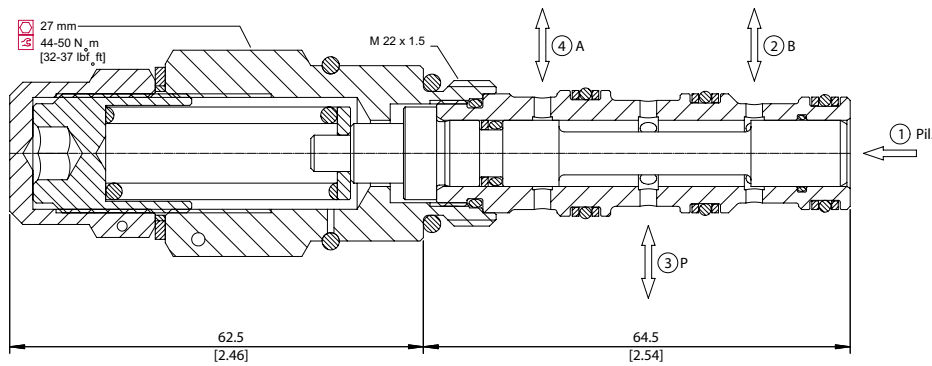
Specifications

Rated pressure	315 bar [4500 psi]
Rated flow at 7 bar [100 psi]	22 l/min [6 US gal/min]
Weight	0.28 kg [0.62 lb]
Cavity	NCS06/4

DIMENSIONS

mm [in]

Cross-sectional view



ORDERING INFORMATION

VDP 06 / 42 01 - M - 1 - 00 - V

Adjustment

E = Internal screw
EN = External screw
M = Handwheel

Setting range

1 = 15- 40 bar [220-580 psi]
2 = 30 - 120 bar [430-1740 psi]
3 = 105 - 190 bar [1520-2750 psi]

To order this valve with a specific factory setting, contact your Danfoss ICS representative

Seals

V = Viton
Omit = Buna-N

Housing and ports

00 = No Housing
L3/8 = AL, 3/8 BSP
L1/2 = AL, 1/2 BSP
L6S = AL, #6 SAE
L8S = AL, #8 SAE
Other housings available

Seal kit

230000350
230000080

Housing P/N

No Housing
NCS06/4-L-3/8
NCS06/4-L-1/2
NCS06/4-L-6S
NCS06/4-L-8S