



OPERATION

Proportional Pressure Reducing / Relieving Valve, Pilot Operated, Normally Open to Drain. With no current to the coil, the “reduced pressure” (port 3) is connected to drain (port 4), while blocking the inlet (port 2). As current is increased to the coil, inlet (port 2) is connected to “reduced pressure” (port 3), proportionally increasing the “reduced pressure” as shown on the performance curve(s). If the “reduced pressure” exceeds the setting induced by the coil, pressure is relieved to drain (port 4). This 09 Series valve uses a 10 size cavity with an 08 size tube and coil, providing an optimal product for high flow and low pressure, while minimizing pressure drop in the system. This valve was formerly branded as XRP 044.



Shown with Standard Coil and Filter

APPLICATION

Common applications include low-pressure proportional pilot control of clutches or hydraulically piloting large directional spool valves. Refer to example circuits. Use the optional screen to help protect the actuator from large particles. Select the robust coil for those extreme environmental conditions – voltage extremes, high temperature, shock & vibration, chemicals, and/or water ingress.

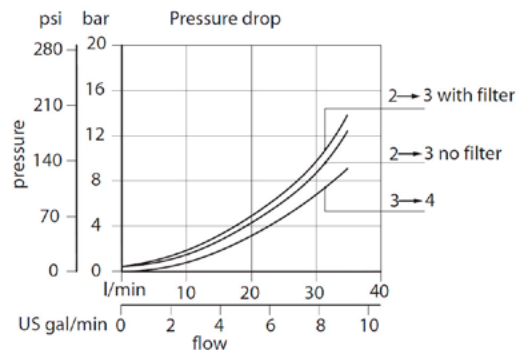


Shown with Robust Coil and Filter

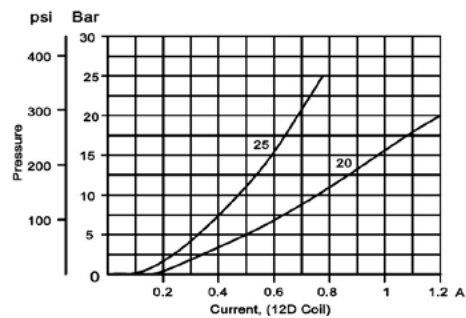
SPECIFICATIONS

Rated pressure	50 bar [725 psi]
Rated flow at 7 bar [100 psi]	25 l/min [7 US gal/min]
Weight	0.34 kg [0.75 lb]
Hysteresis	6% maximum
Threshold current	0.15 A (12 VDC coil) 0.08 A (24 VDC coil)
Maximum control current	1.2 A (12 VDC coil) 0.6 A (24 VDC coil)
Cavity	SDC10-4
Standard Coil	M13 20 Watt
Robust Coil	R13 16 Watt Robust Nut P/N 173800539 No coil O-rings needed.

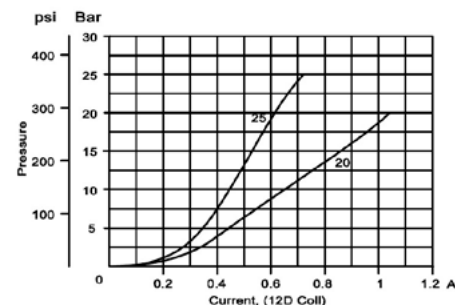
THEORETICAL PERFORMANCE



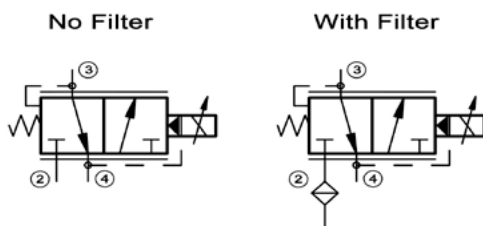
Reducing pressure Vs. Current
26 cSt [121 SUS] hyd.oil at 50°C [122 °F]
Standard Coil



Reducing pressure Vs. Current
26 cSt [121 SUS] hyd.oil at 50°C [122 °F]
Robust Coil

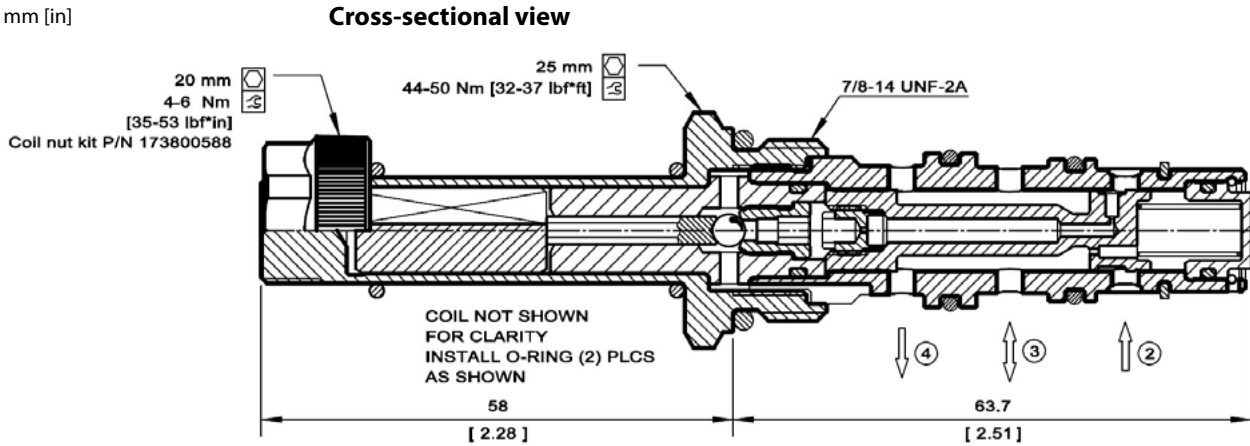


SCHEMATICS

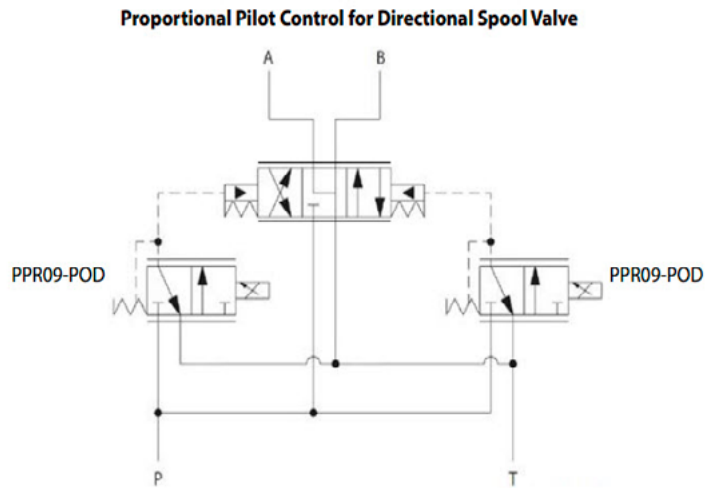
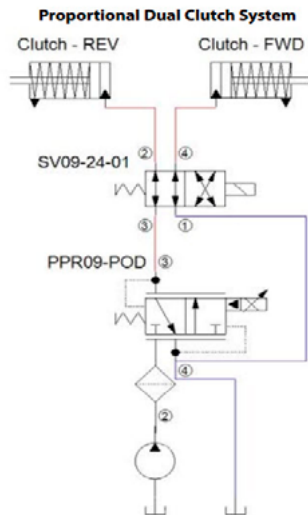


DIMENSIONS

mm [in]



EXAMPLE APPLICATION CIRCUITS



ORDERING INFORMATION

PPR09-POD - 25 - 12D - DN - V - F - 00

Setting Range

20 = 0-20 bar [0-290 psi]
25 = 0-25 bar [0-380 psi]

Coil voltage

00 = No Coil
12D = 12 VDC (Standard Coil)
24D = 24 VDC (Standard Coil)
R12D = 12 VDC (R-Coil)
R24D = 24 VDC (R-Coil)

Coil termination:

00 = No Coil
FL = Flying Lead
DN = DIN 43650 *
DE = Deutsch
AJ = Amp Junior *
SP = Spade
AS = AMP SuperSeal 1.5 and Metri-Pack 150 type 1

* These terminations are not available on robust coil (R12D, R24D)

Body and ports

00 = No Housing
6S = AL, #6 SAE
8S = AL, #8 SAE
L3B = AL, 3/8 BSP
L4B = AL, 1/2 BSP
Other housings available

Filter 300 µm

00 = No Filter
F = With Filter

Seals

B = Buna-N
V = Viton

Seals kit

230000760
230001030

Body Nomenclature

No Body
CP10-4-6S
CP10-4-8S
SDC10-4-L-3B
SDC10-4-L-4B