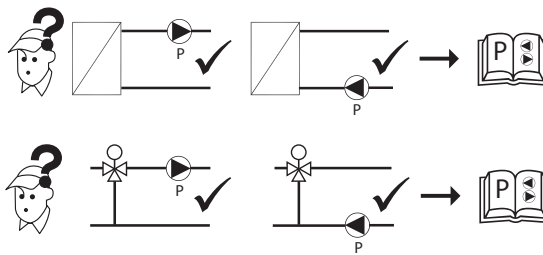
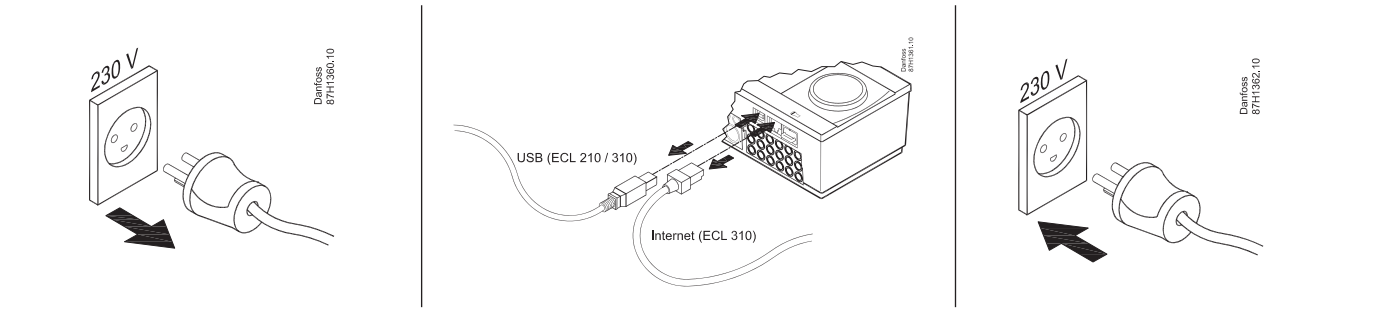


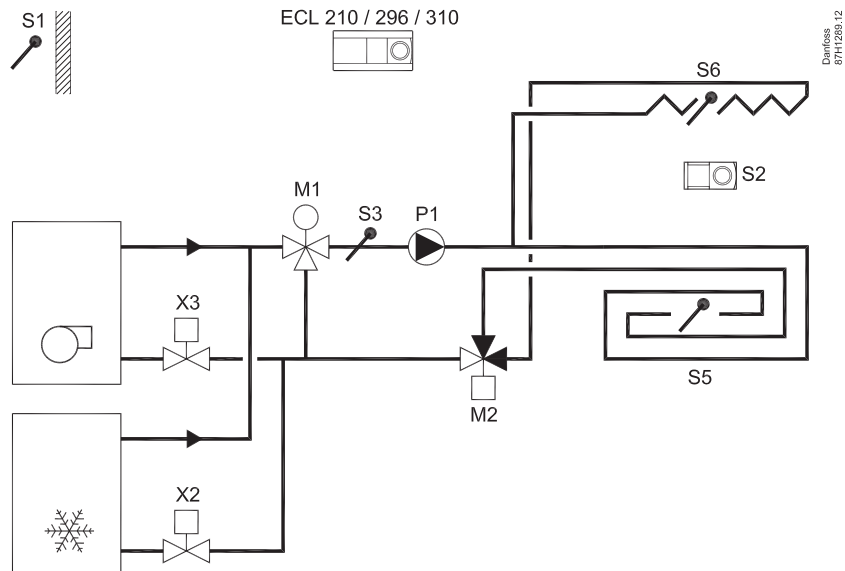
Installation Guide

ECL Comfort 210 / 296 / 310, A232 / A332 (code no. 087H3812)

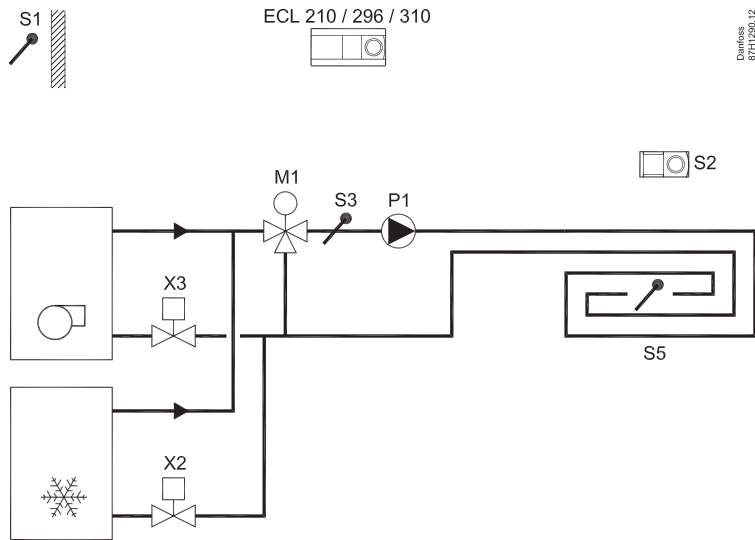
(A232.1, A332.1, A332.2, A332.3, A332.4)



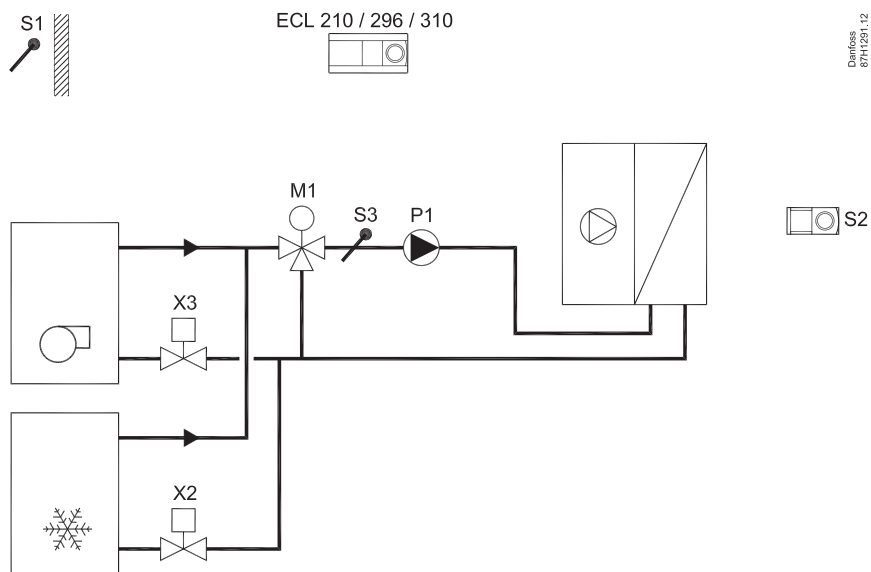
A232.1, ex. a



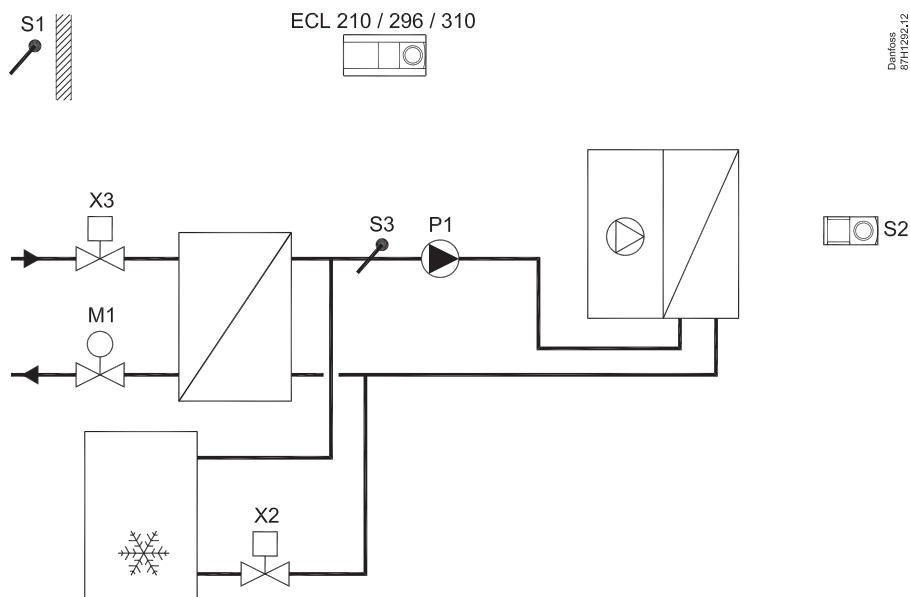
A232.1, ex. b



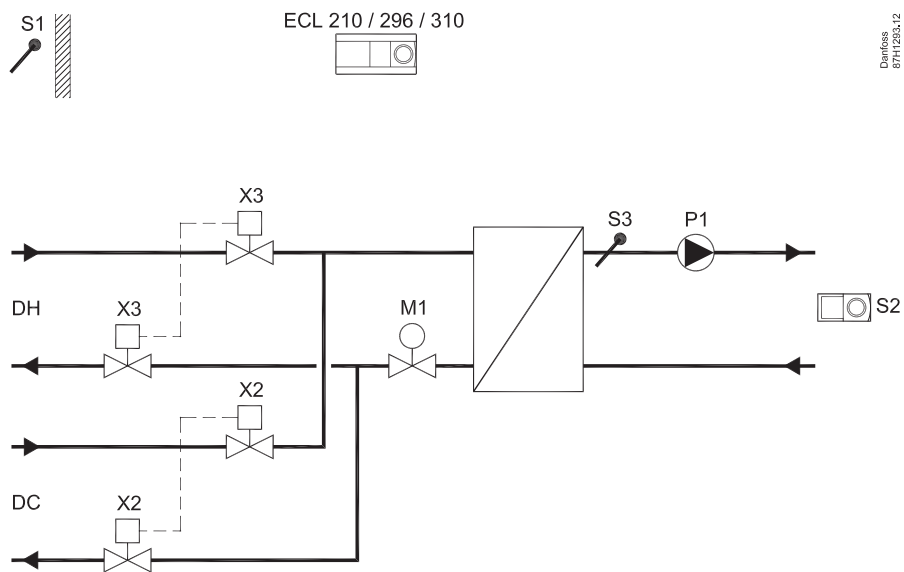
A232.1, ex. c



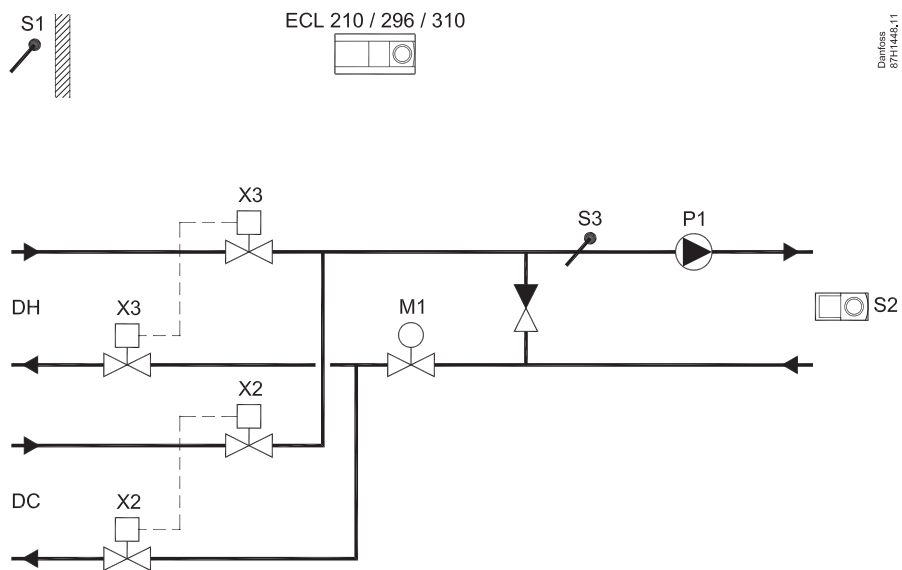
A232.1, ex. d



A232.1, ex. e

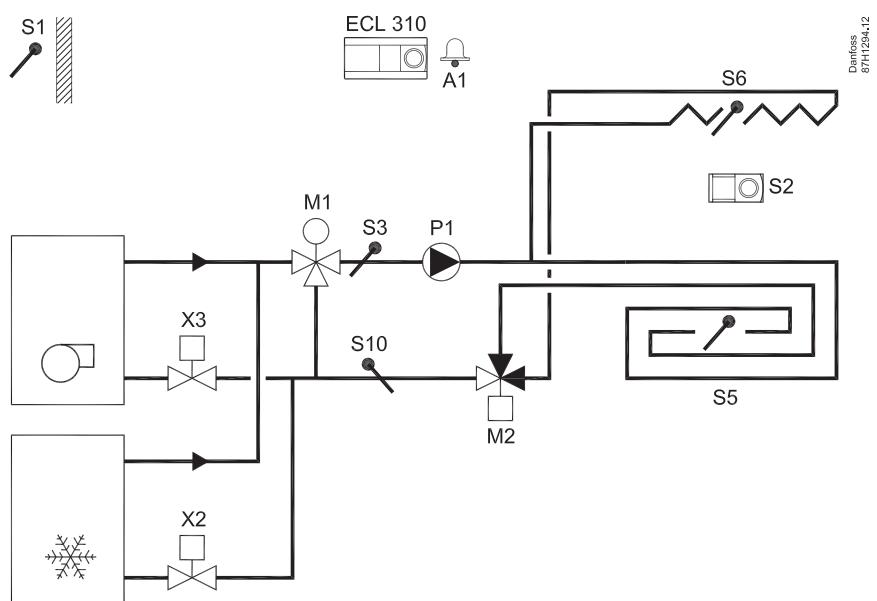


A232.1, ex. f



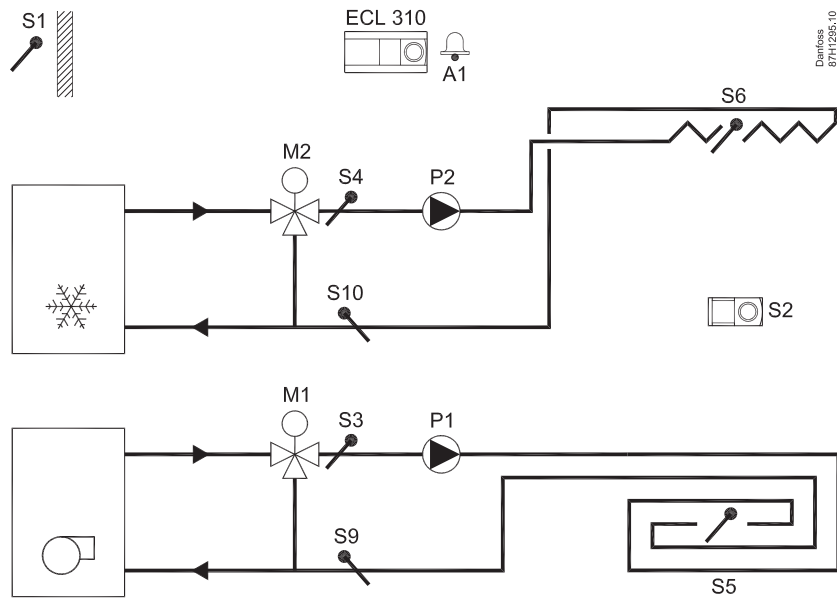
Danfoss
87H1448,11

A332.1, ex. a

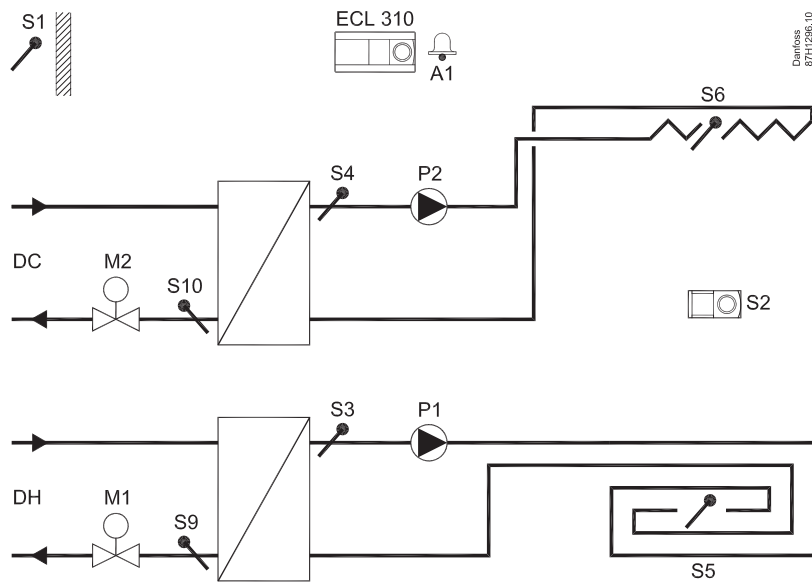


Danfoss
87H1234,12

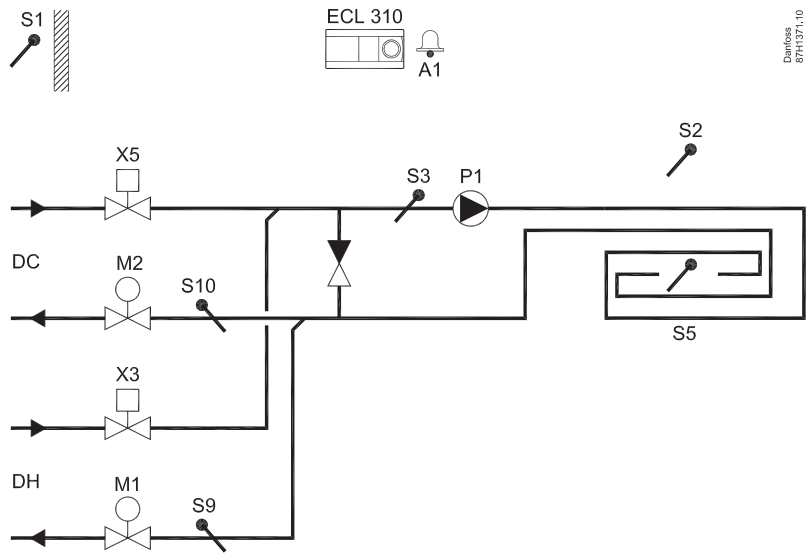
A332.2, ex. a



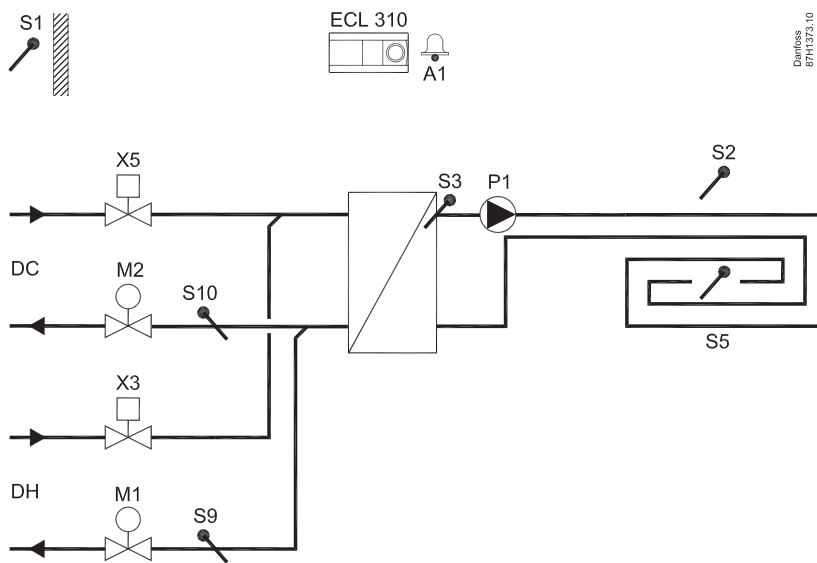
A332.2, ex. b



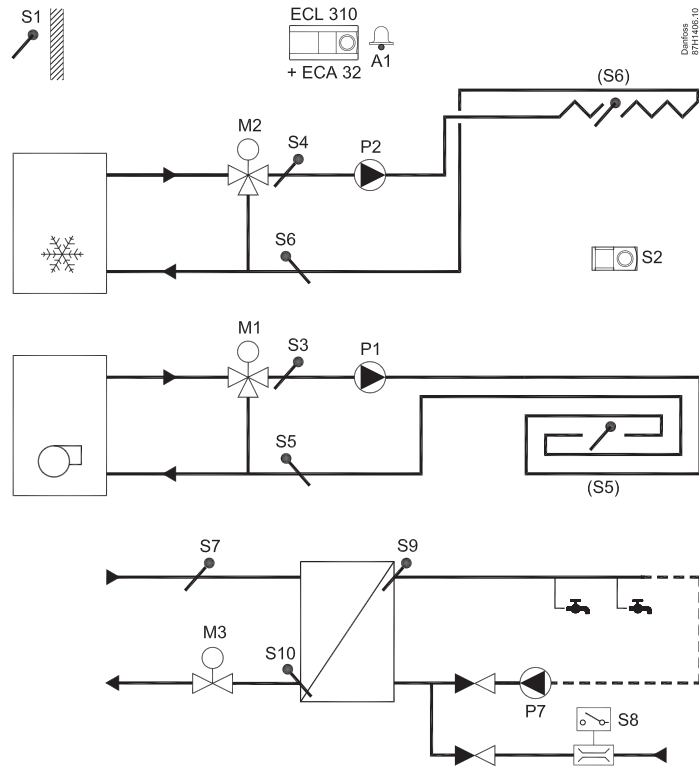
A332.2, ex. c



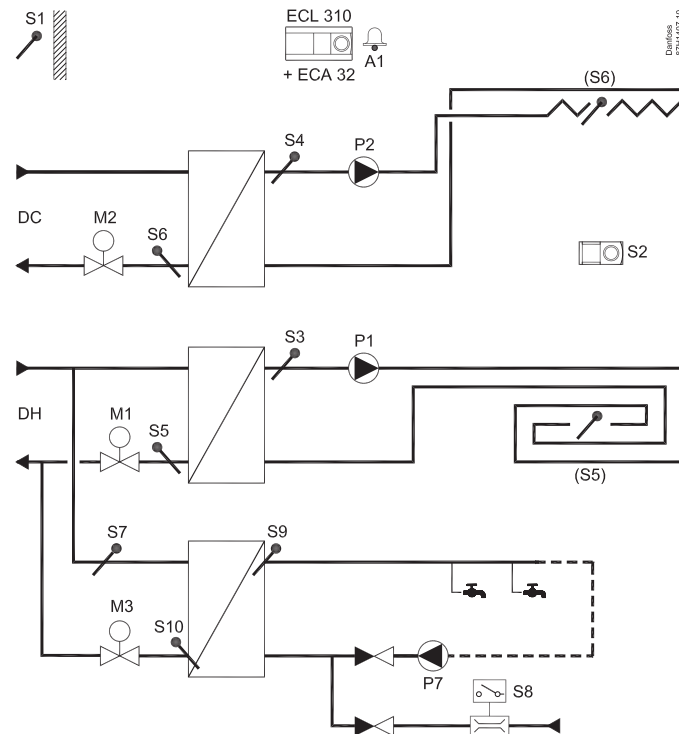
A332.2, ex. d



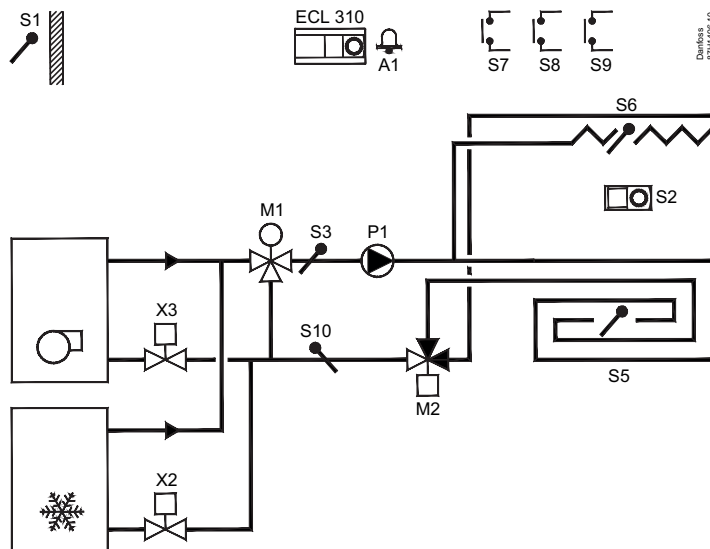
A332.3, ex. a






A332.3, ex. b



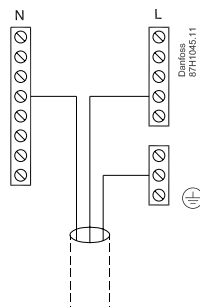
A332.4, ex. a



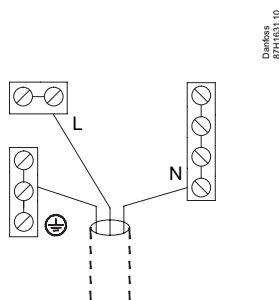
ECL Comfort 210 / 296 / 310:
230 V a.c.

R 	4 (2) A / 230 V a.c.
R 	
Tr 	0,2 A / 230 V a.c.

ECL 210 / 310



ECL 296

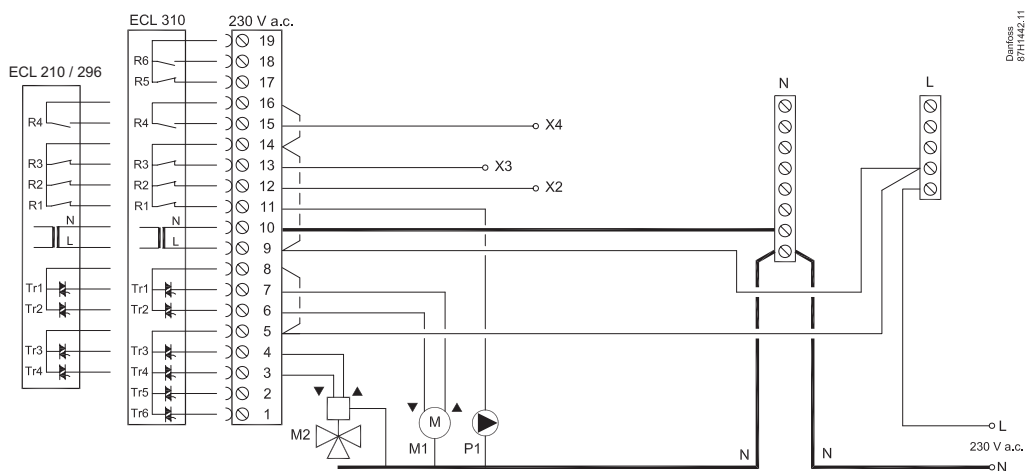


230 V a.c., A232.1 (ECL 210 / 296 / 310)

A332.1, A332.2, A332.3, A332.4 (ECL 310)

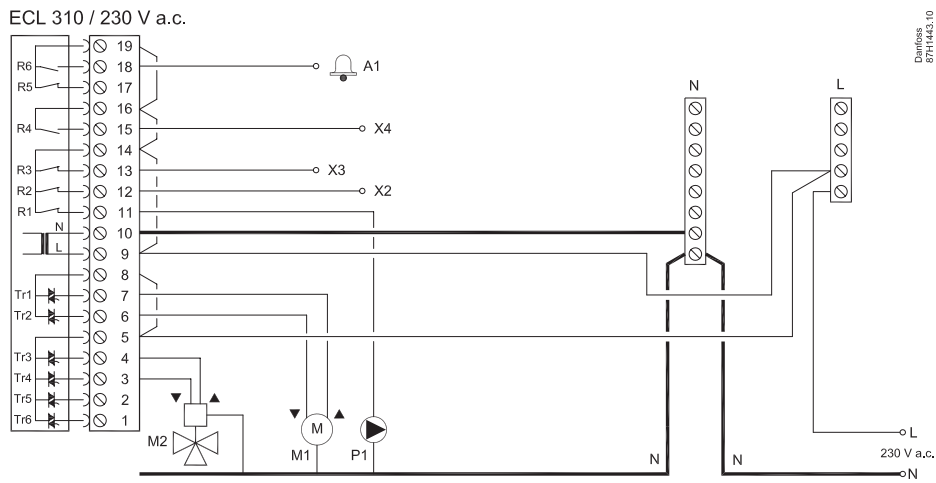
	M1	M2	M3		R1	R2	R3	R4	R5	R6
A232.1	✓	✓			P1	X2	X3	X4		
A332.1	✓	✓			P1	X2	X3	X4		A1
A332.2	✓	✓			P1	P2	X3	X4	X5	A1
A332.3	✓	✓	✓		P1	P2	X3	X4	X5	A1
A332.4	✓	✓			P1	X2	X3	X4		A1

230 V a.c., A232.1 (ECL 210 / 296 / 310)

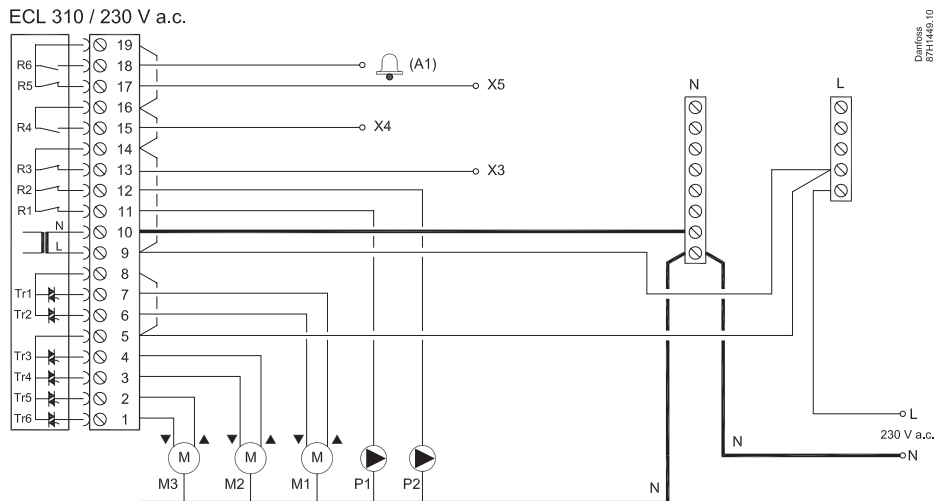


Installation Guide, ECL Comfort 210 / 296 / 310, A332 / A332

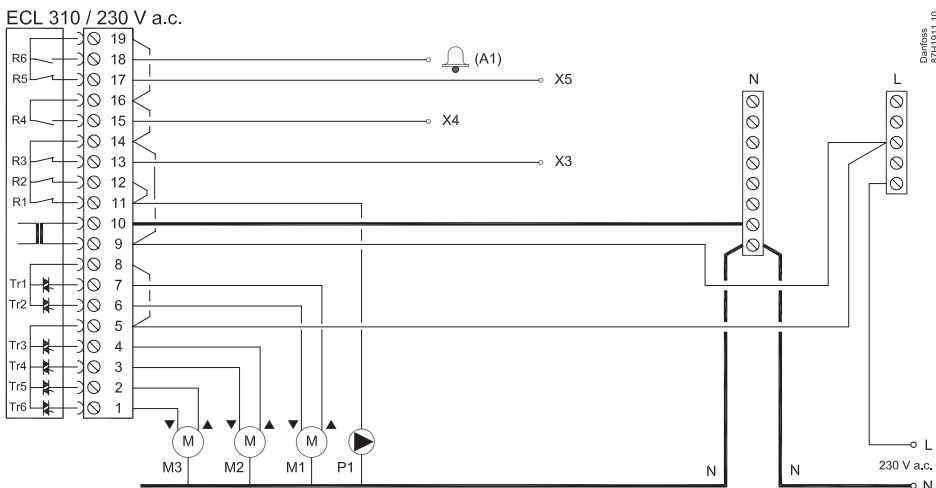
230 V a.c., A332.1, A332.4 (ECL 310)



230 V a.c., A332.2, A332.3 (ECL 310)

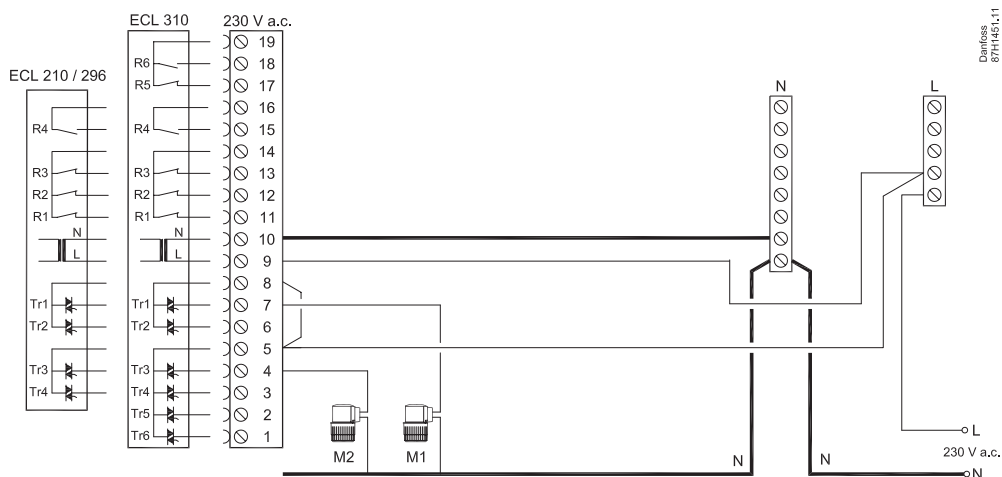


230 V a.c., A332.2 ex. c, A332.2 ex. d P1

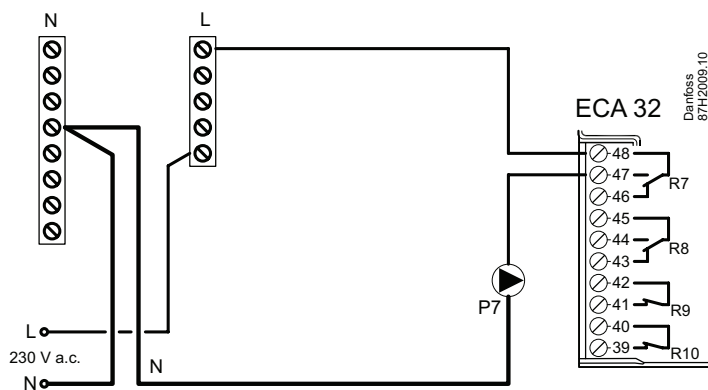


230 V a.c., A232 Danfoss ABV

Danfoss type ABV:			
	M1	M2	M3
A232.1	✓		
A332.1	✓		
A332.2	✓	✓	
A332.3	✓	✓	
A332.4	✓		

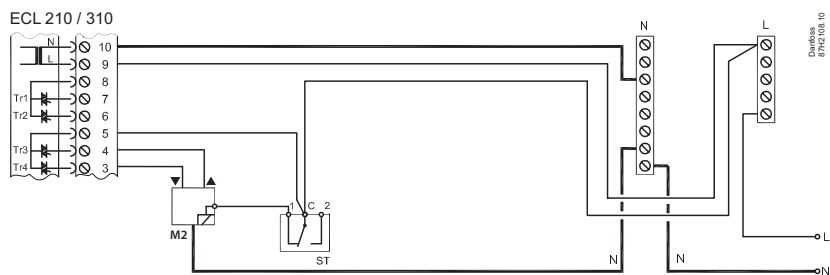
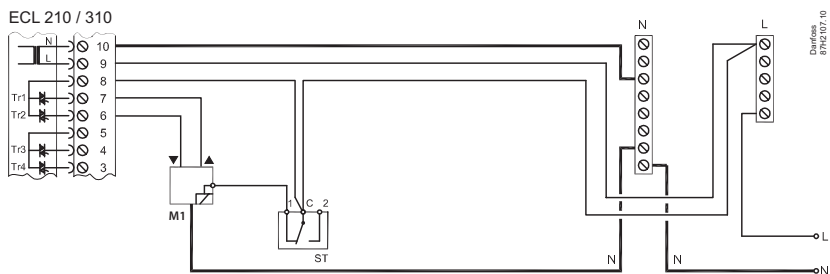
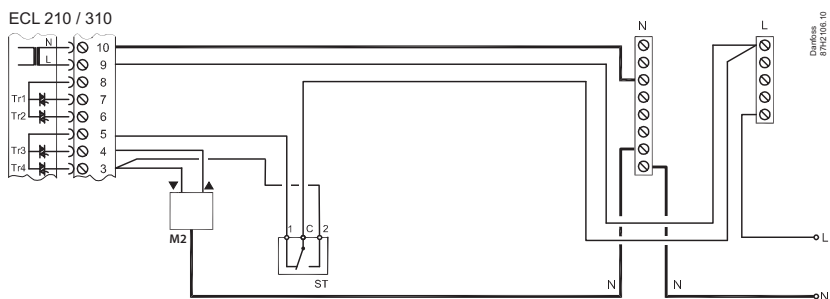
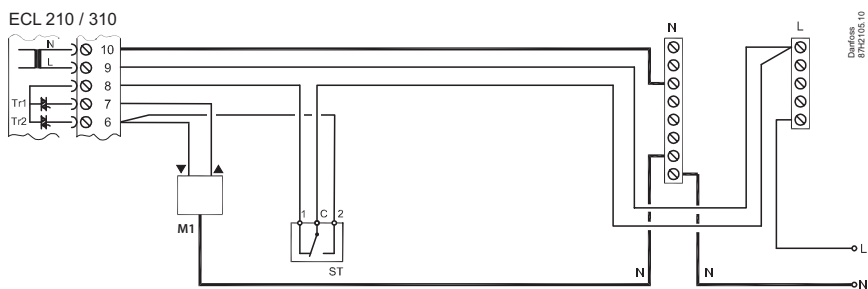


230 V a.c., A332.3, ECA 32, P7

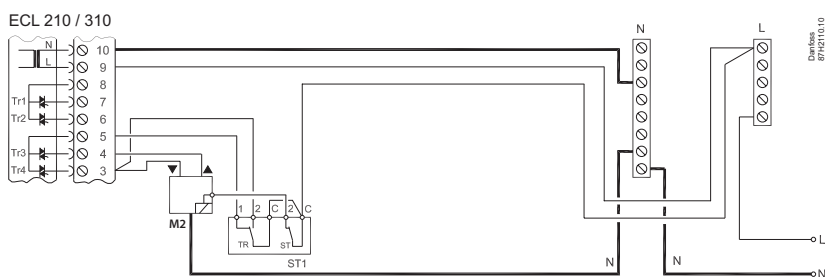
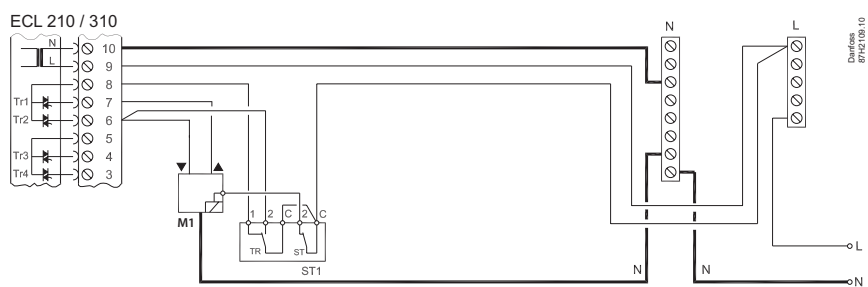


230 V a.c. / 24 V a.c. safety thermostat

1-step closing



230 V a.c. / 24 V a.c. safety thermostat
2-step closing



ECL Comfort 310:

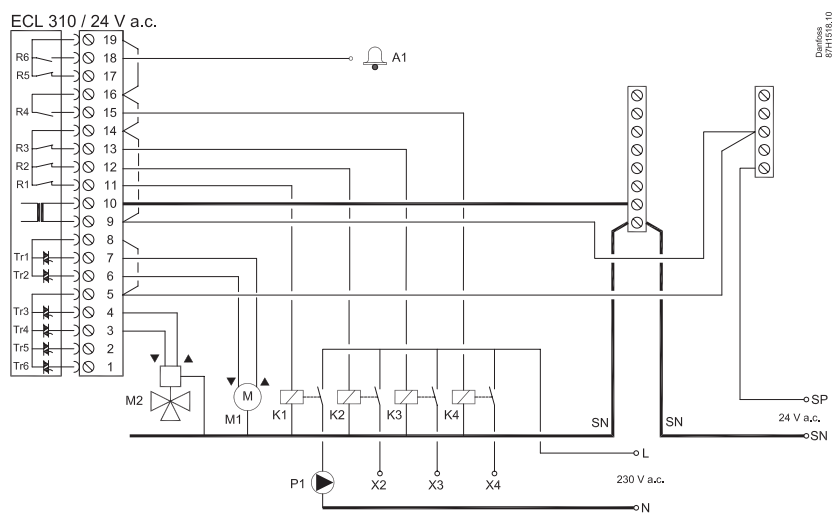
24 V a.c.

R		4 (2) A / 24 V a.c.
Tr		1 A / 24 V a.c.

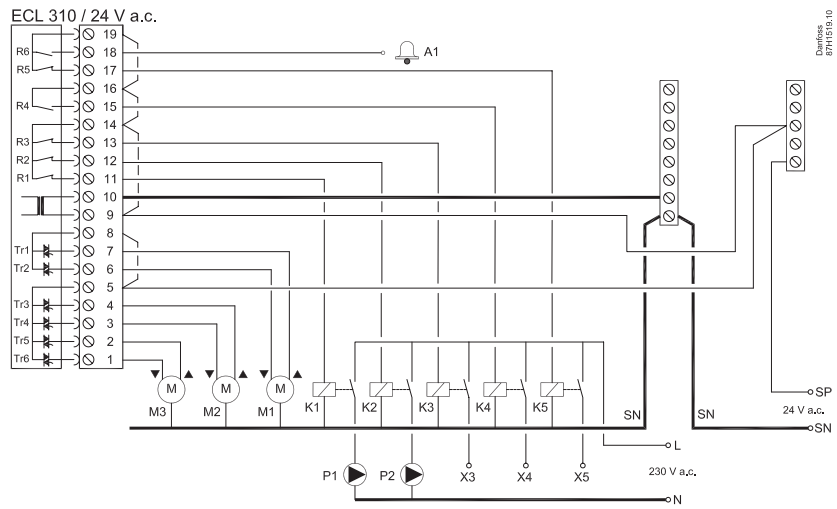
24 V a.c., A232.1, A332.1, A332.2, A332.3, A332.4 (ECL 310)

	M1	M2	M3		R1	R2	R3	R4	R5	R6
A232.1	✓	✓			P1	X2	X3	X4		
A332.1	✓	✓			P1	X2	X3	X4		A1
A332.2	✓	✓			P1	P2	X3	X4	X5	A1
A332.3	✓	✓	✓		P1	P2	X3	X4	X5	A1
A332.4	✓	✓			P1	X2	X3	X4		A1

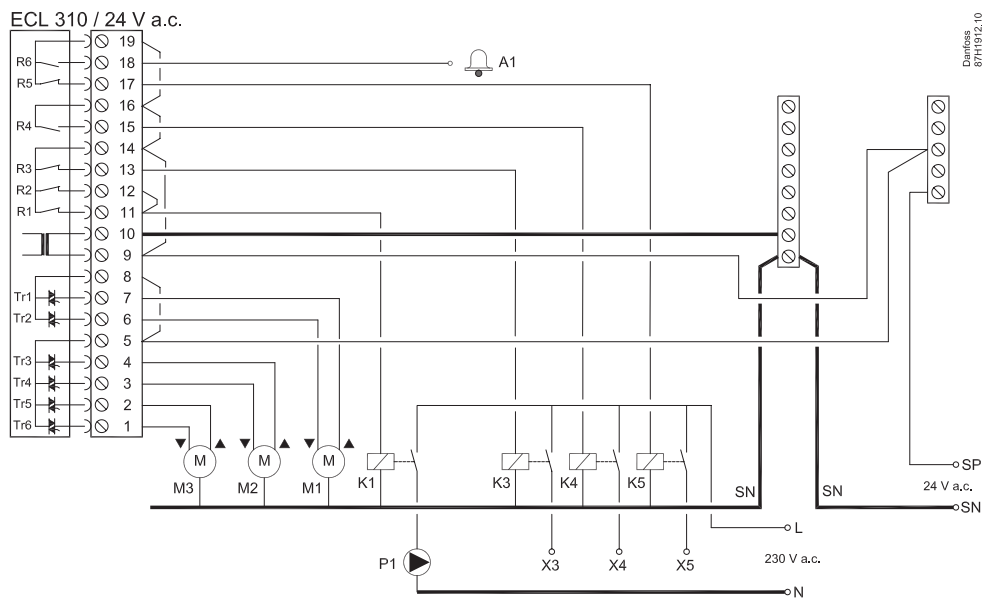
24 V a.c., A232.1, A332.1, A332.4 (ECL 310)



24 V a.c., A332.2, A332.3 (ECL 310)



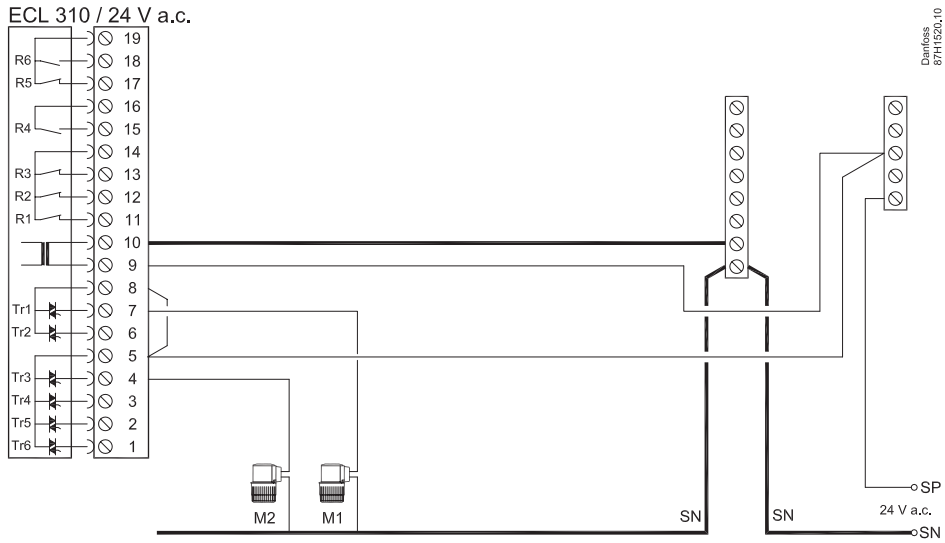
24 V a.c., A332.2 ex. c, A332.2 ex. d
P1



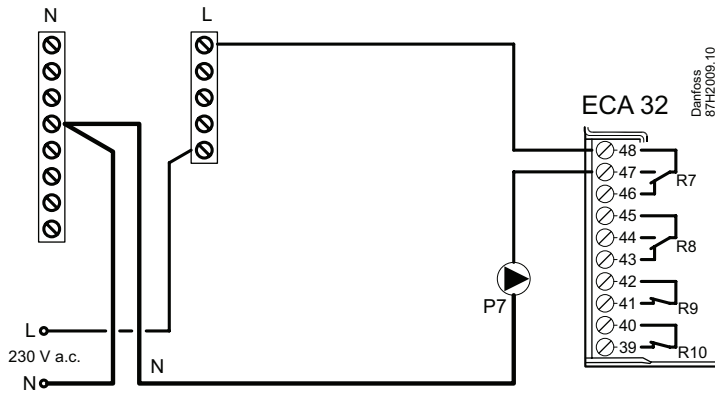
Installation Guide, ECL Comfort 210 / 296 / 310, A232 / A332

24 V a.c., A232, Danfoss ABV

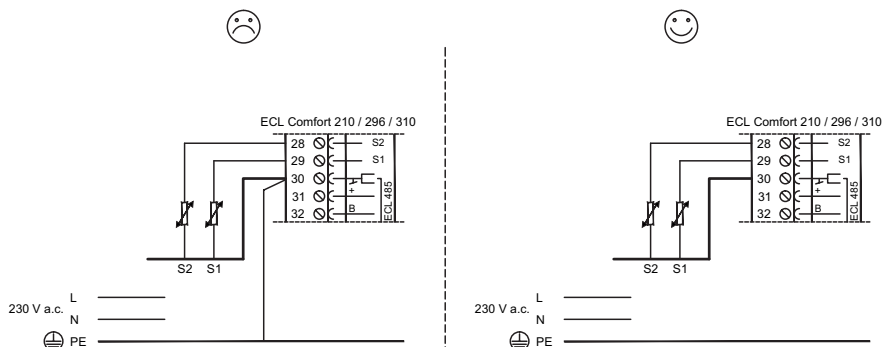
Danfoss type ABV:			
	M1	M2	M3
A232.1	✓		
A332.1	✓		
A332.2	✓	✓	
A332.3	✓	✓	
A332.4	✓		



24 V a.c., A332.3, ECA 32, P7

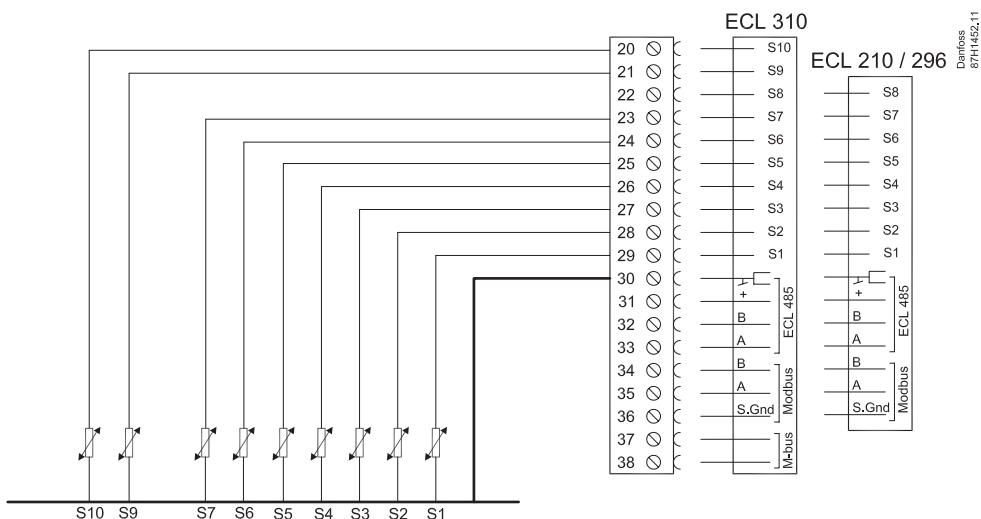


Pt 1000 (1000 Ω / 0 °C)

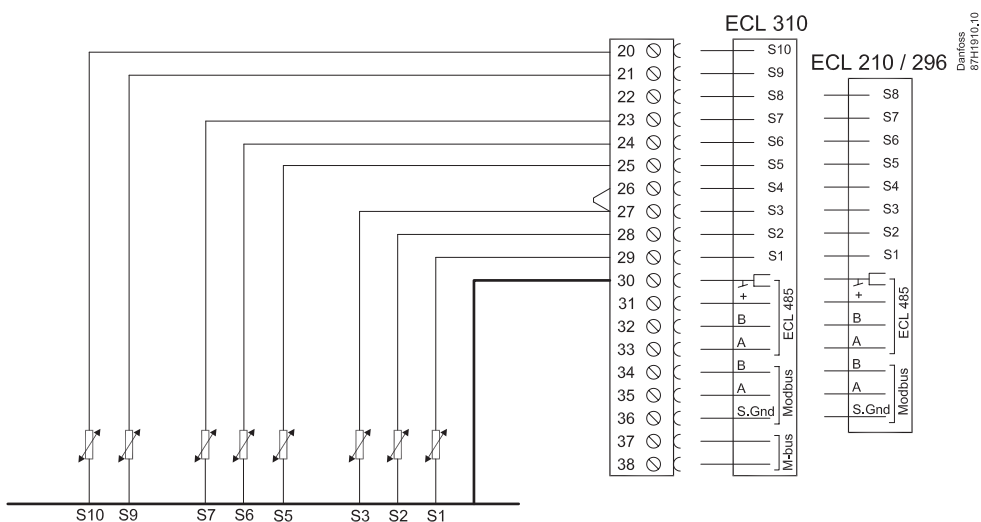


Pt 1000 (1000 Ω / 0 °C)

	S1	S2	S3	S4	S5	S6	S7	S8	S9	S10
A232.1	✓	✓	✓		✓	✓				
A332.1	✓	✓	✓		✓	✓				✓
A332.2	✓	✓	✓	✓	✓	✓			✓	✓
A332.3	✓	✓	✓	✓	✓	✓	✓		✓	✓
A332.4	✓	✓	✓		✓	✓				✓



A332.2 ex. c, A332.2 ex. d
S3

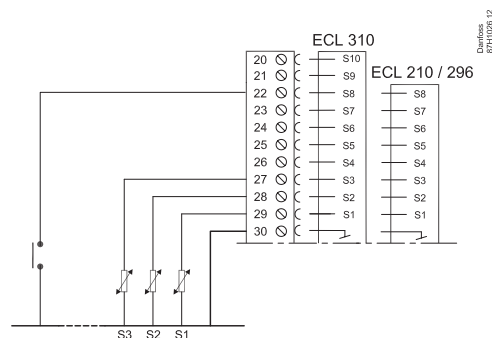
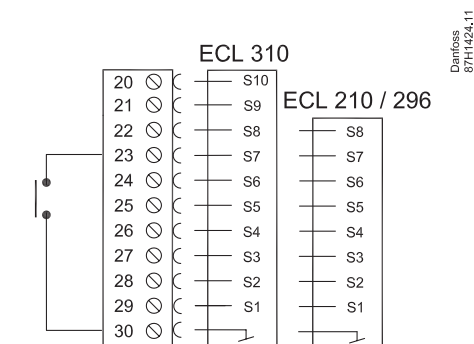


A232.1, A332.1, A332.2, A332.3, A332.4

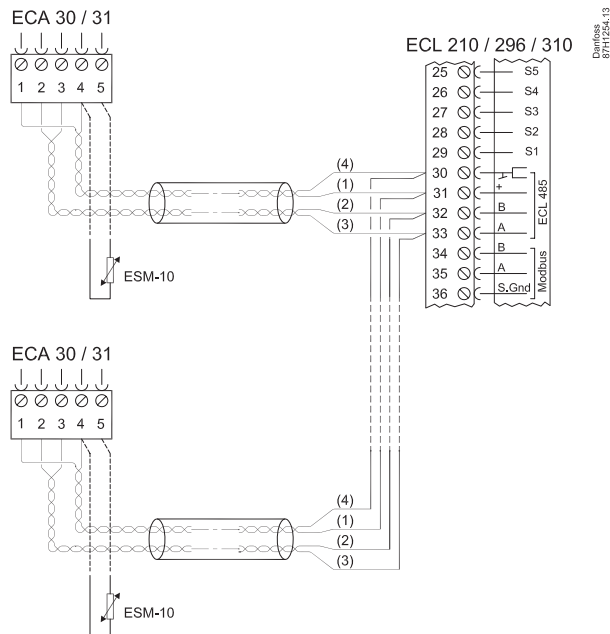
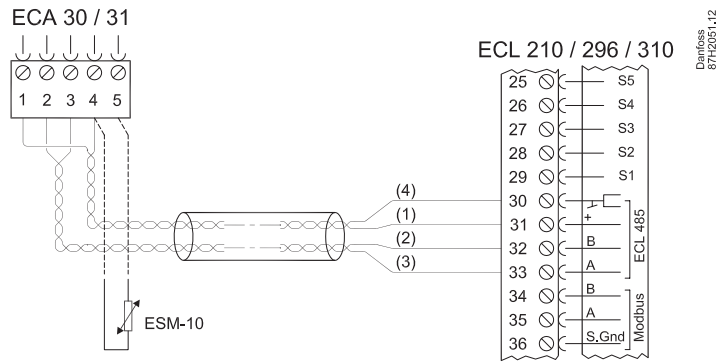


S7, S8, S9

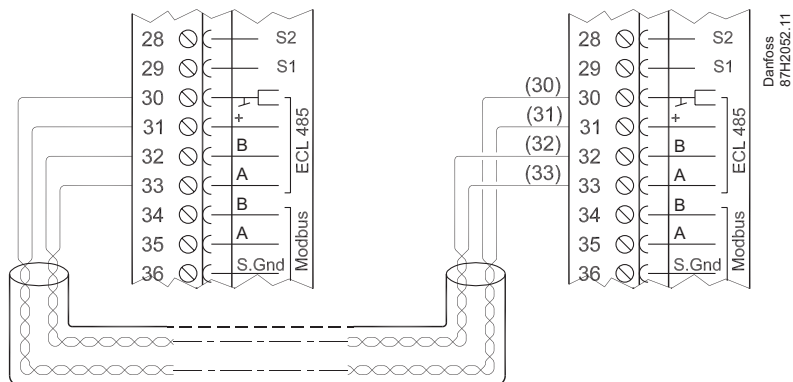
	S7	S8	S9
A232.1	✓	✓	
A332.1	✓	✓	
A332.2	✓	✓	
A332.3		✓	
A332.4	✓	✓	✓



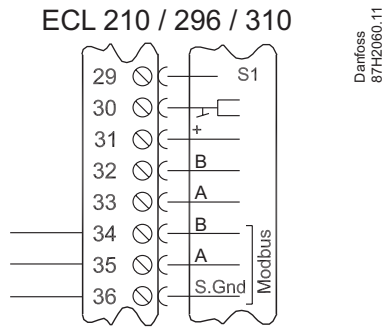
ECA 30 / 31



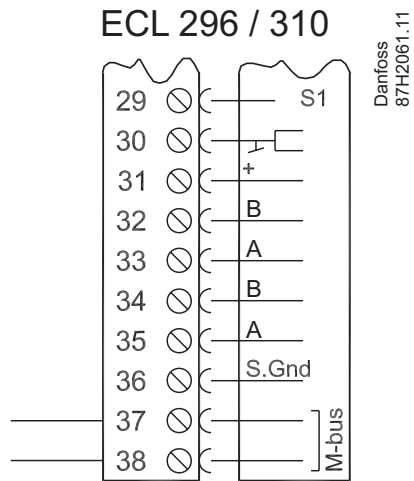
Master / slave



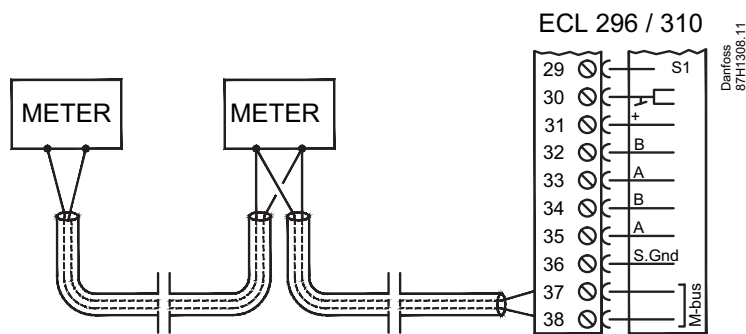
Modbus



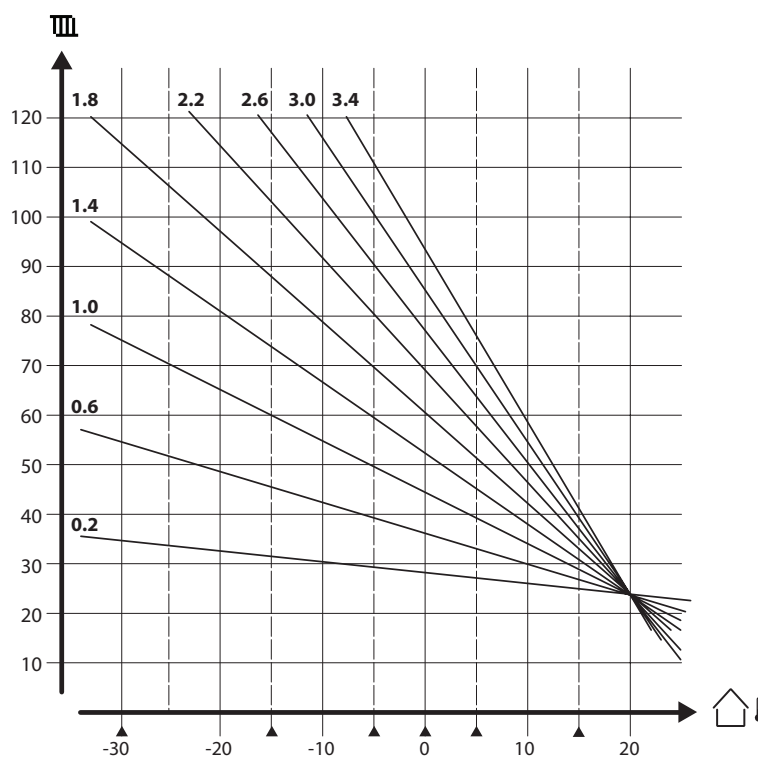
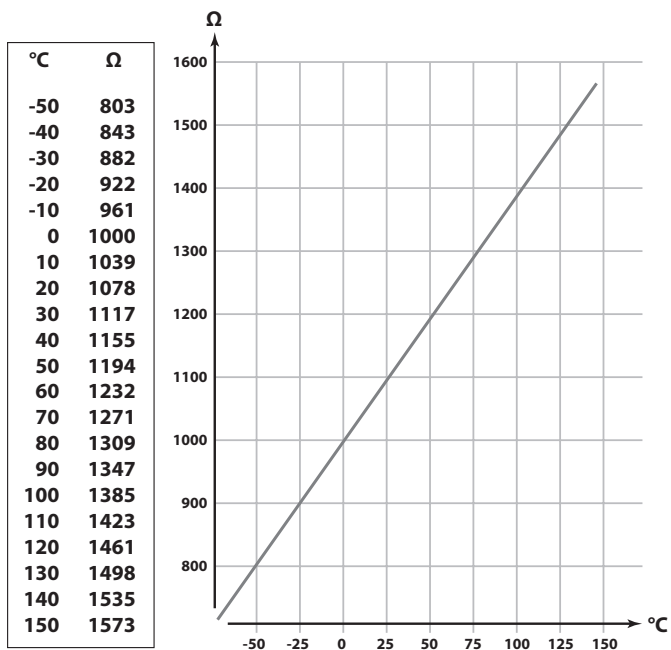
M-bus



M-bus

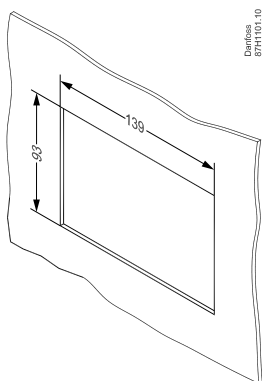


Pt 1000 (IEC 751B, 1000 Ω / 0 °C)

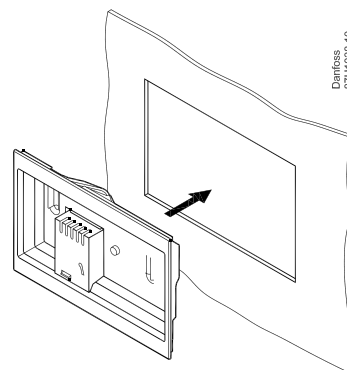


ECA 30

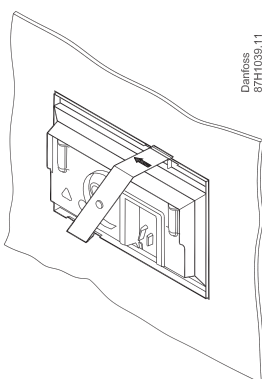
1



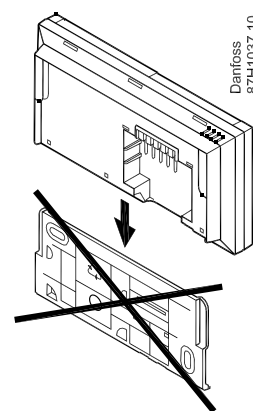
2



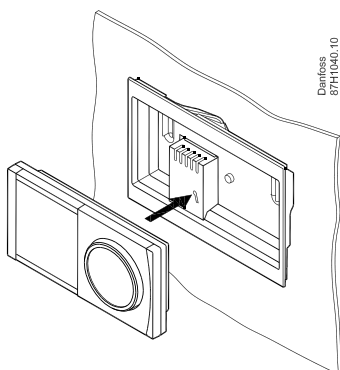
3



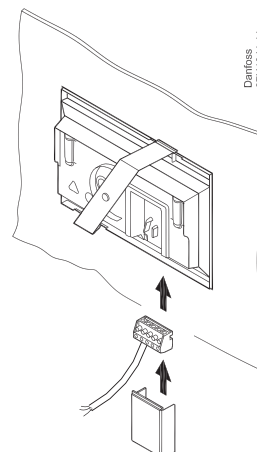
4



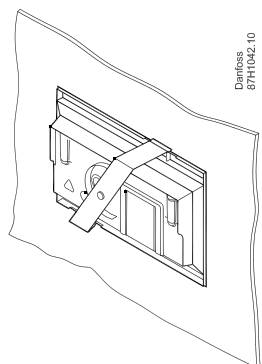
5



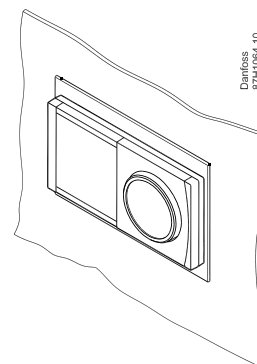
6



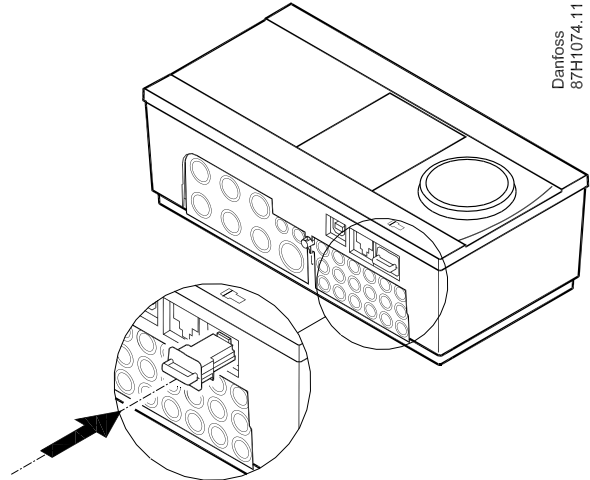
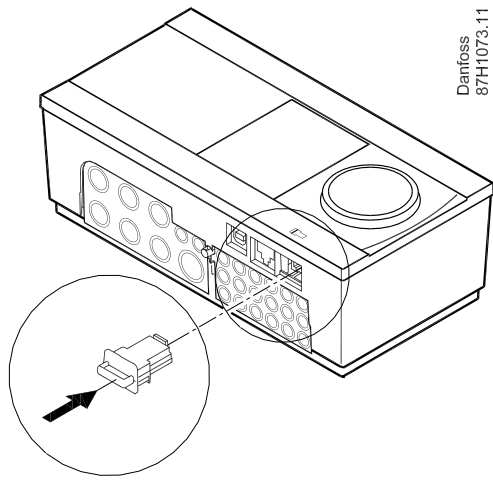
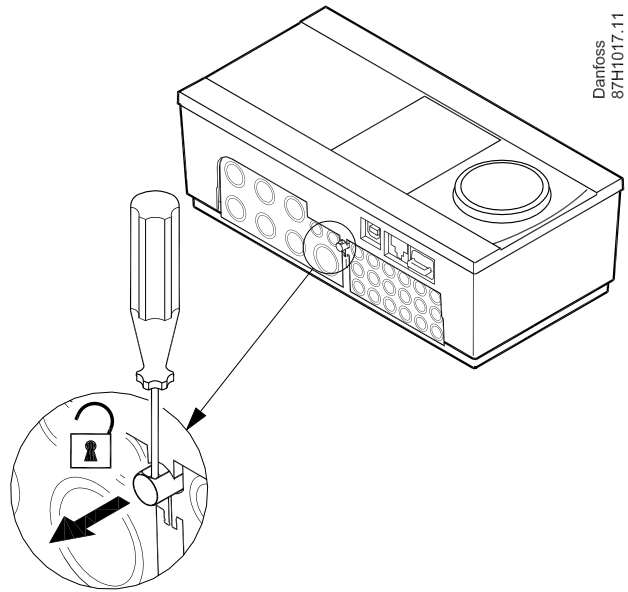
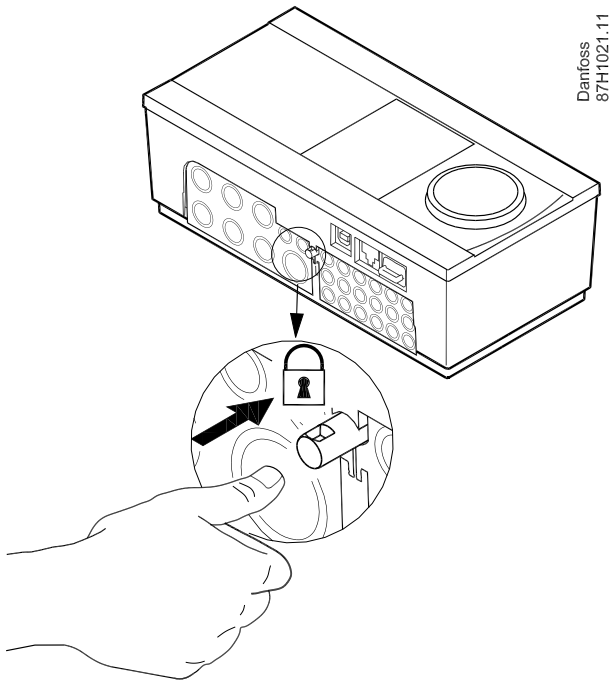
7



8



Installation Guide, ECL Comfort 210 / 296 / 310, A232 / A332



? **ECL Comfort 210 / 296 / 310, A232 / A332: www.heating.danfoss.com**

? **<https://www.youtube.com/user/DanfossHeating>
-> Playlists -> How-to Videos -> District Energy installation videos**



Danfoss A/S
Heating Segment • danfoss.com • +45 7488 2222 • E-Mail: heating@danfoss.com

Danfoss can accept no responsibility for possible errors in catalogues, brochures and other printed material. Danfoss reserves the right to alter its products without notice. This also applies to products already on order provided that such alterations can be made without subsequential changes being necessary in specifications already agreed. All trademarks in this material are property of the respective companies. Danfoss and all Danfoss logotypes are trademarks of Danfoss A/S. All rights reserved.