

Installation guide

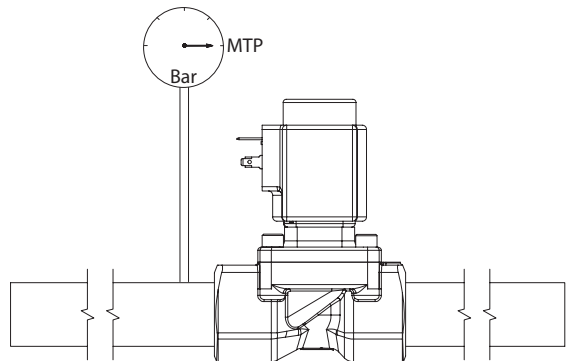
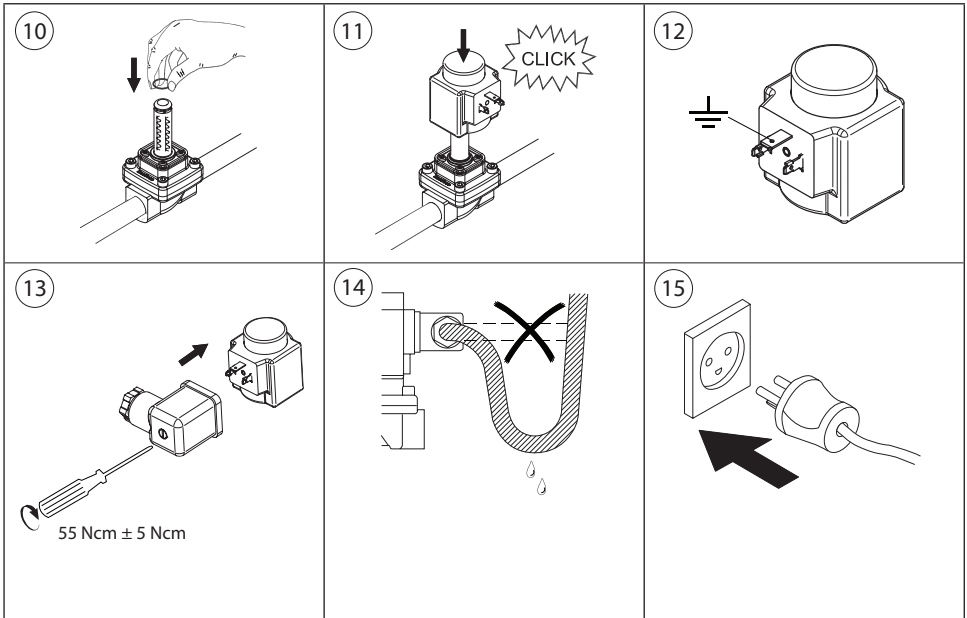
# Solenoid valve

Type EV250BW

132R9003

132R9003

<p><b>A</b></p>	<p>≥ 297 Microns</p>	
<p><b>1</b></p>	<p><b>2</b></p>	<p><b>3</b></p> <p>132R110002 02L00 EV250BW 110 G 13 IS 1000V 50/60Hz MADE IN DENMARK</p> <p>132R110002 02L00 EV250BW 110 G 13 IS 1000V 50/60Hz MADE IN DENMARK Danfoss A/S, 6400 Hørsholm, Denmark</p>
<p><b>4</b></p> <p>Max. 90° / Recommended 15°</p>	<p><b>5</b></p> <p>Max. 90° / Recommended 15°</p>	<p><b>6</b></p>
<p><b>7</b></p>	<p><b>8</b></p>	<p><b>9</b></p> <p>OFF</p>



Drinking water approval			
		Valid in	Certificate no.
EV250BW 10 - 22 BE	DK, SE	SCO155-18 *)	
*) <a href="http://publiccert.extweb.sp.se/sv/Product/List/">http://publiccert.extweb.sp.se/sv/Product/List/</a> Wetted parts in accordance with DVGW, 4MS, KTW and W270			

DN	Max. Working Pressure (MWP)	Max. Test pressure (MTP)
	[bar]	[bar]
10 - 22	10	15
EN 60730-2-8		

Visit [www.products.danfoss.com](http://www.products.danfoss.com) for further technical data  
 Para más información, visite [www.products.danfoss.es](http://www.products.danfoss.es)  
 Rendez-vous sur le site [www.products.danfoss.fr](http://www.products.danfoss.fr) pour plus de données techniques