

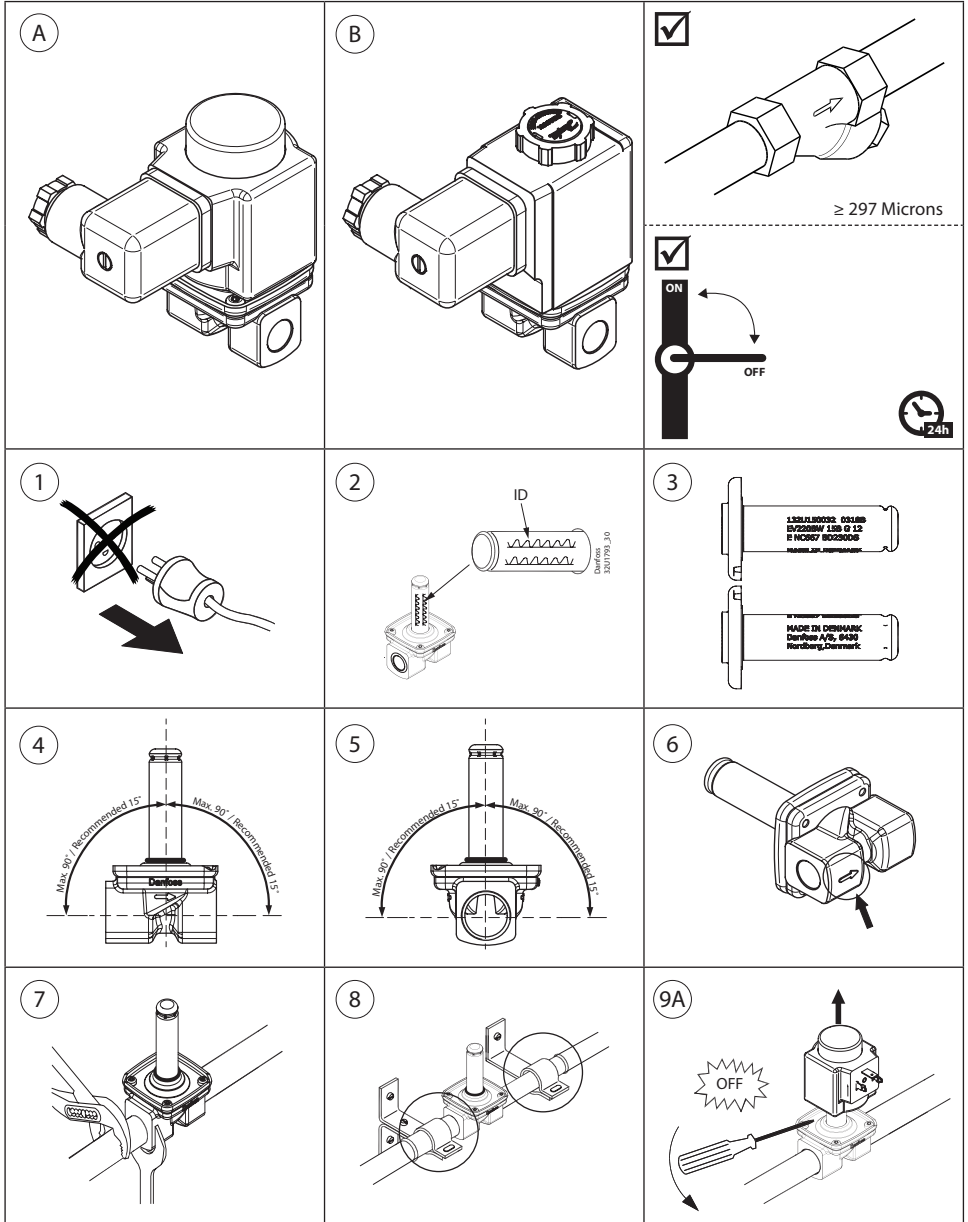
Installation guide

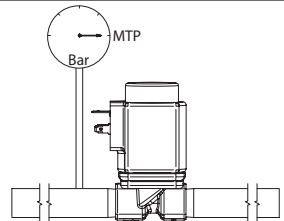
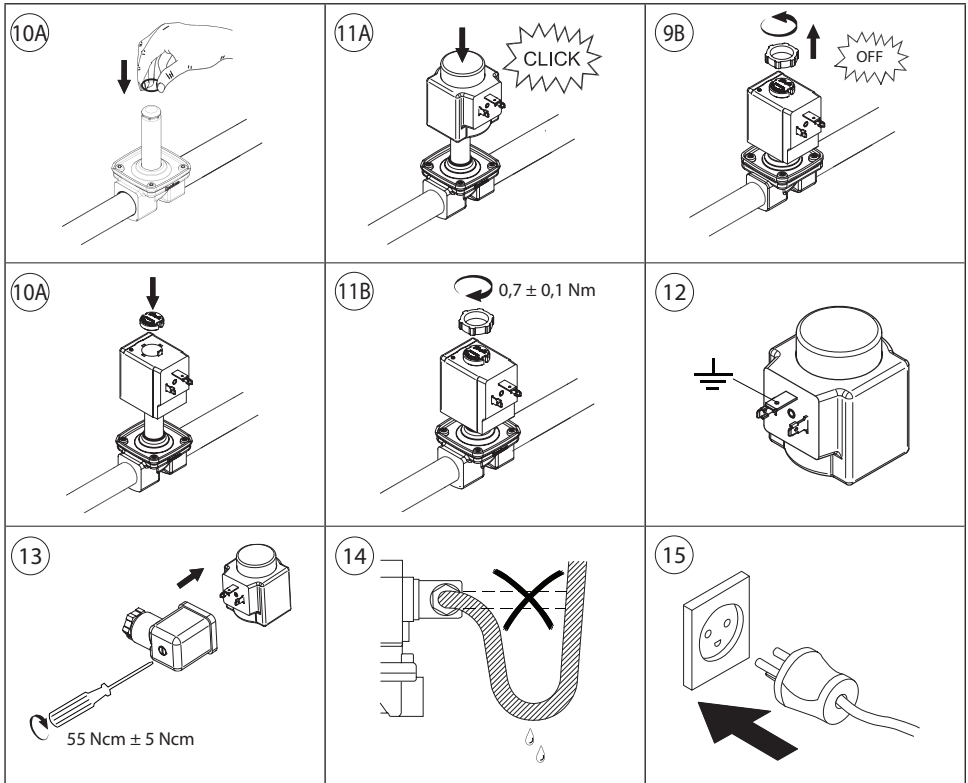
Solenoid valve

Type EV221BW 10 - 22

132R9013

132R9013





Drinking water approval			
		Valid in	Certificate no.
EV221BW 10 - 22 BE		DK, SE	SCO1555-18 *)
*) http://publiccert.extweb.sp.se/sv/Product/List/ Wetted parts in accordance with DVGW, 4MS, KTW and W270			

DN	Max. Working Pressure (MWP)	Max. Test pressure (MTP)
	[bar]	[bar]
10 - 22	10	15
EN 60730-2-8		

Visit www.products.danfoss.com for further technical data
 Para más información, visite www.products.danfoss.es
 Rendez-vous sur le site www.products.danfoss.fr pour plus de données techniques