



# Relief Valves Technical Information

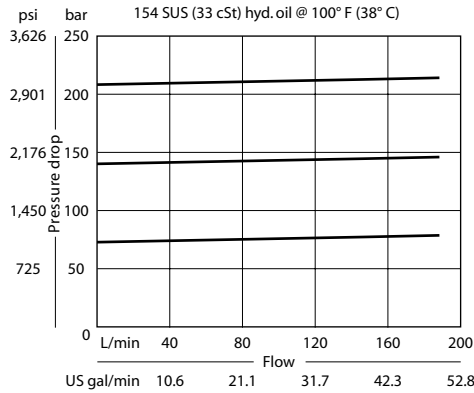
## Cross-Over CP221-1

### OPERATION

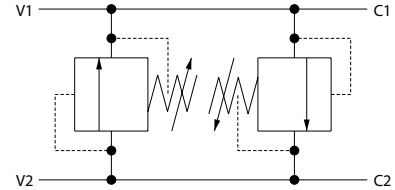
This valve is an inline cross relief. It uses two CP201-1 differential area relief valves.

### SPECIFICATIONS

#### Theoretical performance



#### Schematic



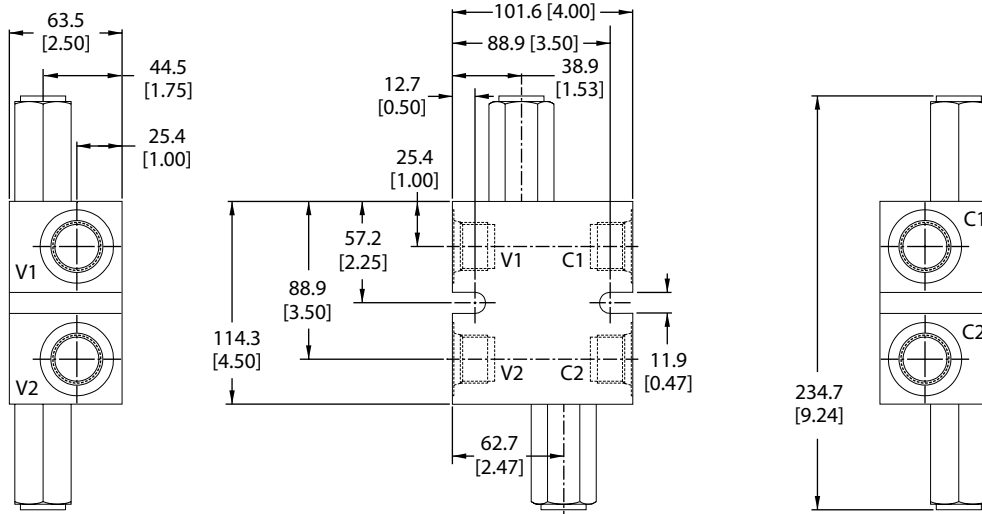
#### Specifications

<b>Rated pressure</b>	250 bar [3600 psi]
<b>Rated flow</b>	150 l/min [40 US gal/min]
<b>Weight</b>	2.25 kg [4.95 lb]
<b>Cavity</b>	none

### DIMENSIONS

mm [in]

#### Cross-sectional view



### ORDERING INFORMATION

## CP221-1 - 16S - B - 0 - A - C - 150

Housings & Ports	Housing P/N
6B: 3/4 BSP, AL	221742
8B: 1 BSP, AL	221690
12S: #12 SAE, AL	220223
16S: #16 SAE, AL	220222

Seal Option		
Code	Seal Material	Seal kit
B	Buna	120017
V	Viton	120018

Adjustment Option	
A	Internal
E	External
F	Tamper Resistant
K	Knob

#### Cracking Pressure

Code x 10 = psi

Example: 150 = 1500 psi

#### Pressure Range

	bar	[psi]
A =	7-69	[100-1000]
Standard	28	[400]
B =	17-172	[250-2500]
Standard	69	[1000]
C =	41-248	[500-3600]
Standard	103	[1500]