

# Relief Valves Technical Information

## Cross-Over

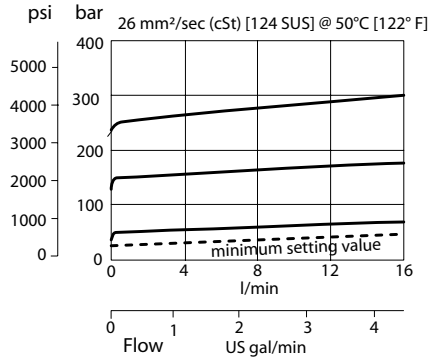
### VA-E 06

### OPERATION

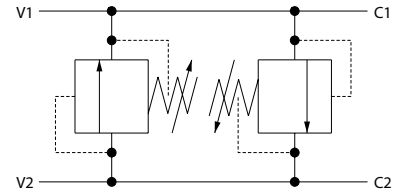
This valve is an inline cross relief. It uses two VME 06 direct-acting relief valves.

### SPECIFICATIONS

#### Theoretical performance



#### Schematic



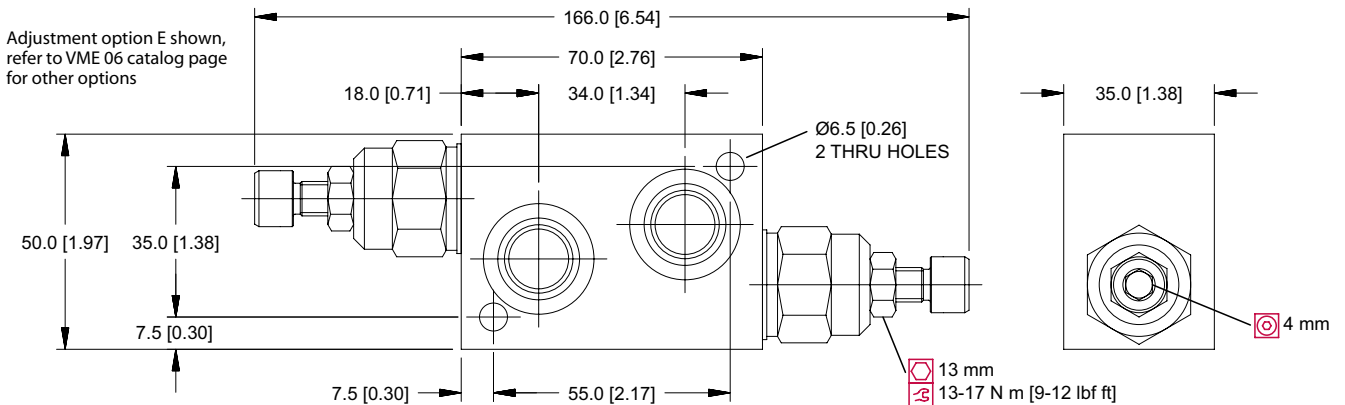
#### Specifications

<b>Rated pressure</b>	210 bar [3045 psi]
<b>Rated flow</b>	40 l/min [11 US gal/min]
<b>Weight</b>	1.11 kg [2.45 lb]
<b>Cavity</b>	none

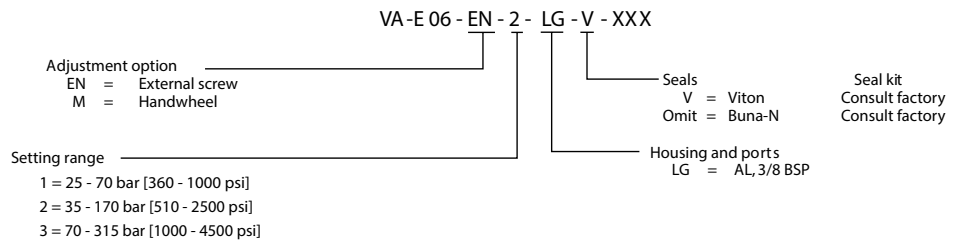
### DIMENSIONS

mm [in]

#### Cross-sectional view



### ORDERING INFORMATION



To order this valve with a specific factory setting, contact your Danfoss ICS representative