



Check Valves Technical Information

In-line, Female Port

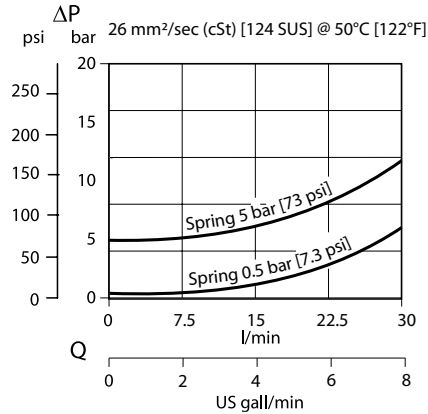
RS 06

OPERATION

This valve allows free flow from 1 to 2 and blocks flow from 2 to 1.

SPECIFICATIONS

Theoretical performance



Schematic



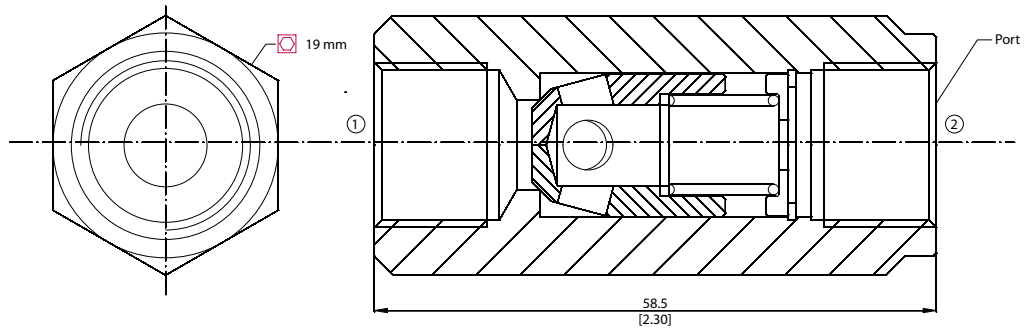
Specifications

Rated pressure	350 bar [5075 psi]
Rated flow at 7 bar	30 l/min
100 psi	[8 US gal/min]
Weight	0.08 kg [0.18 lb]
Cavity	none

DIMENSIONS

mm in

Cross-sectional view



ORDERING INFORMATION

RS 06 / 0.5 G

Port

A = SAE #6
G = 1/4 BSP

Crack pressure

0.5 = 0.5 bar [7.25 psi]
5 = 5 bar [72.5 psi]