



Check Valves Technical Information

In-line, Female Port

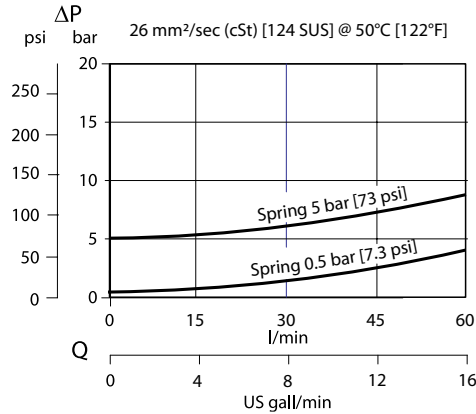
RS 10

OPERATION

This valve allows free flow from 1 to 2 and blocks flow from 2 to 1.

SPECIFICATIONS

Theoretical performance



Schematic



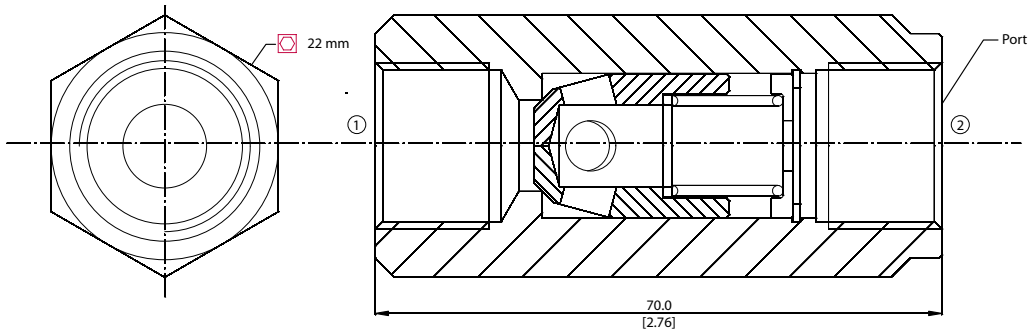
Specifications

| | |
|---------------------|--------------------|
| Rated pressure | 350 bar [5075 psi] |
| Rated flow at 7 bar | 60 l/min |
| 100 psi | [16 US gal/min] |
| Weight | 0.13 kg [0.29 lb] |
| Cavity | none |

DIMENSIONS

mm in

Cross-sectional view



ORDERING INFORMATION

RS 10 / 5 - G



Crack Pressure

0.5 = 0.5 bar [7 psi]
5 = 5 bar [73 psi]