



# Check Valves Technical Information

## In-line, Female Port

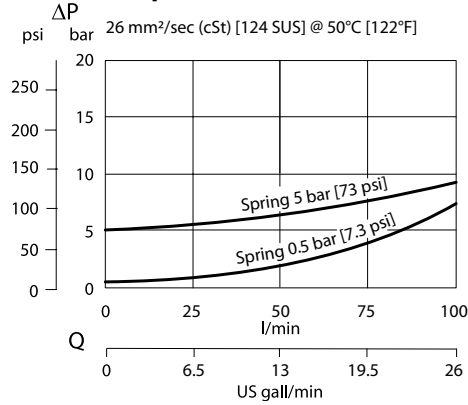
### RS 13

#### OPERATION

This valve allows free flow from 1 to 2 and blocks flow from 2 to 1.

#### SPECIFICATIONS

##### Theoretical performance



##### Schematic



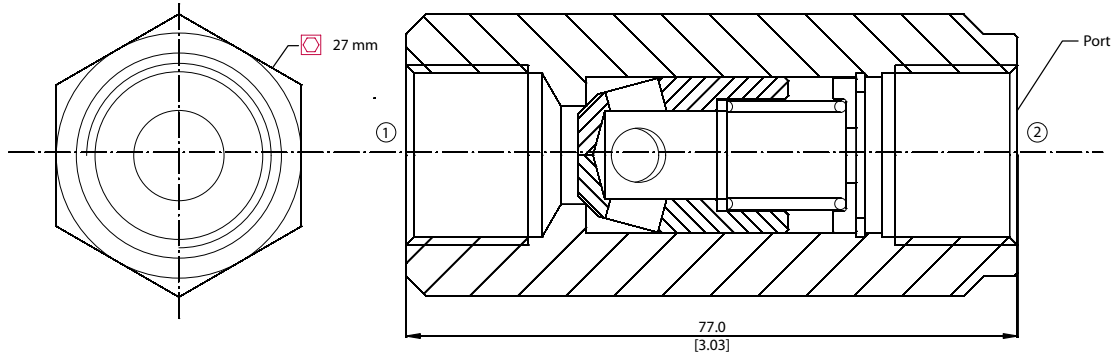
##### Specifications

Rated pressure	315 bar [4500 psi]
Rated flow at 7 bar 100 psi	100 l/min [26 US gal/min]
Weight	0.21 kg [0.46 lb]
Cavity	none

#### DIMENSIONS

mm in

##### Cross-sectional view



#### ORDERING INFORMATION

**RS 13 / 0.5 - G**

**Ports**  
G = ½ BSP

**Crack Pressure**  
0.5 = 0.5 bar [7 psi]  
5 = 5 bar [73 psi]