



Check Valves Technical Information

In-line, Female Port

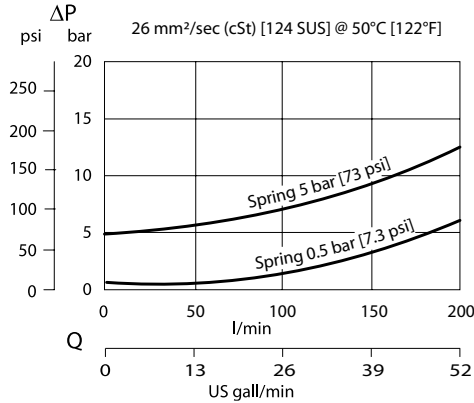
RS 25

OPERATION

This valve allows free flow from 1 to 2 and blocks flow from 2 to 1.

SPECIFICATIONS

Theoretical performance



Schematic



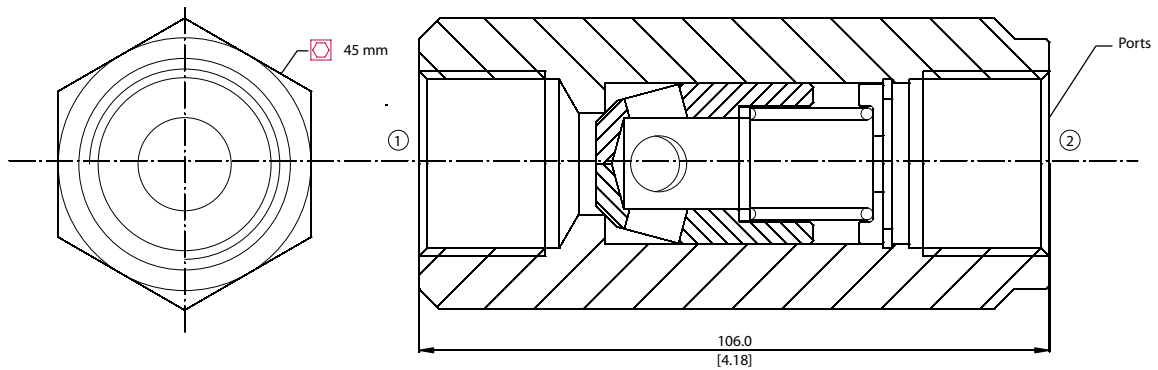
Specifications

Rated pressure	245 bar [3500 psi]
Rated flow at 7 bar	200 l/min
100 psi	[53 US gal/min]
Weight	0.88 kg [1.94 lb]
Cavity	none

DIMENSIONS

mm in

Cross-sectional view



ORDERING INFORMATION

RS 25 / 0.5 - G

Ports

A = SAE #16

G=1 BSP

Crack Pressure

0.5 = 0.5 bar [7 psi]

5 = 5 bar [73 psi]