



Pilot Operated Check Valves Technical Information

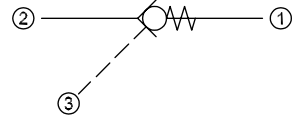
Reverse Pilot to Open

CP453-2

OPERATION

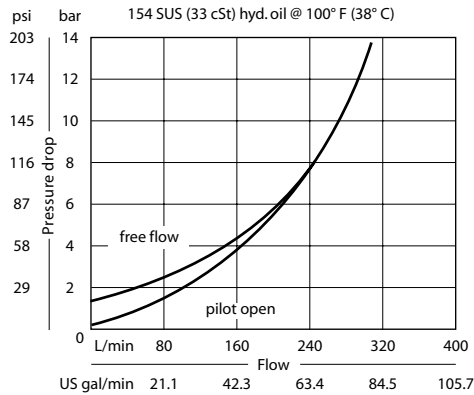
This valve is a pilot-to-open check valve.

Schematic



SPECIFICATIONS

Theoretical performance



Specifications

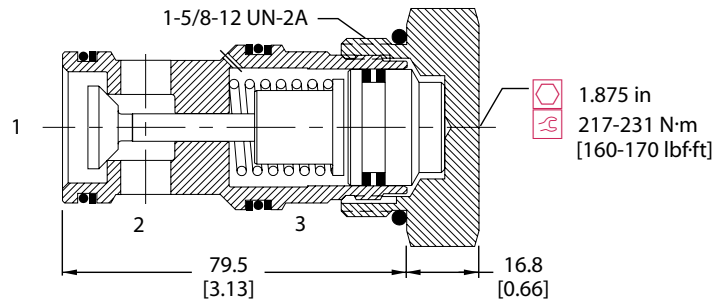
Rated pressure	210 bar [3000 psi]
Rated flow at 7 bar [100 psi]	230 l/min [61 US gal/min]
Leakage	6 drops/min @ Rated pressure
Weight	0.66 kg [1.46 lb]
Pilot ratio	3:1
Cavity	CP20-3S

Note: A piston seal requires a 4.5 bar [65 psi] or greater return spring.

DIMENSIONS

mm [in]

Cross-sectional view



ORDERING INFORMATION

CP453 - 2 - B - 20S - 065 - 0

Seals	Seal kit	Piston seals
B = Buna-N	120380	0 = No seals
V = Viton	120381	S = Seals included
Housing and ports	Housing P/N	Crack Pressure
0 = No Housing	No Housing	bar [psi]
8B = Al, 1 BSP	CP20-3S-8B/2B	065 = 4.48 [65]
10B = Al, 1-1/4 BSP	CP20-3S-10B/2B	
16S = Al, #16 SAE	CP20-3S-16S/4S	
20S = Al, #20 SAE	CP20-3S-20S/4S	
Other housings available		