



Pilot Operated Check Valves Technical Information

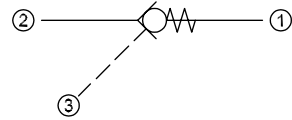
Reverse Pilot to Open

CP451-2

OPERATION

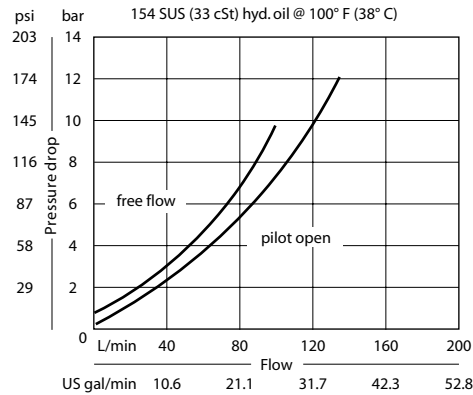
This valve is a pilot-to-open check valve.

Schematic



SPECIFICATIONS

Theoretical performance



Specifications

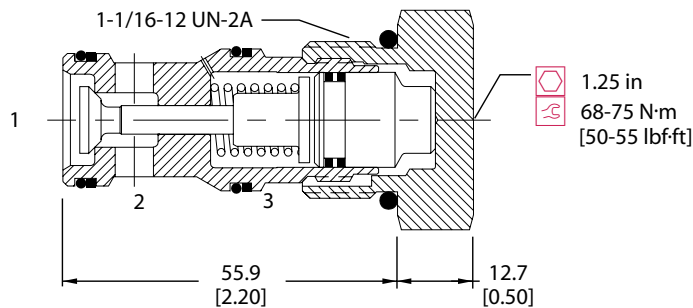
Rated pressure	210 bar [3000 psi]
Rated flow at 7 bar [100 psi]	95 l/min [25 US gal/min]
Leakage	6 drops/min @ Rated pressure
Weight	0.21 kg [0.46 lb]
Pilot ratio	3:1
Cavity	CP12-3S

Note: A piston seal requires a 4.5 bar [65 psi] or greater return spring.

DIMENSIONS

mm [in]

Cross-sectional view



ORDERING INFORMATION

