



Pilot Operated Check Valves Technical Information

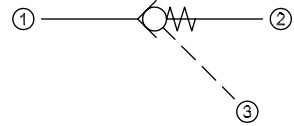
Pilot to Close

CP461-1

OPERATION

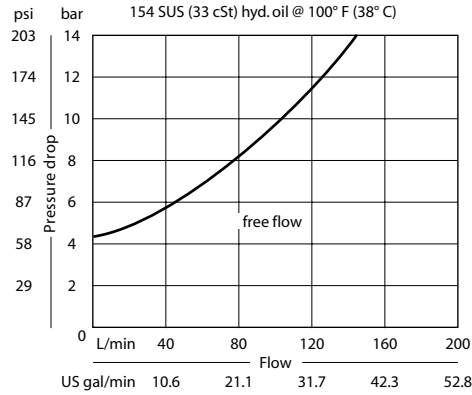
This valve is a pilot-to-close check valve.

Schematic



SPECIFICATIONS

Theoretical performance



Specifications

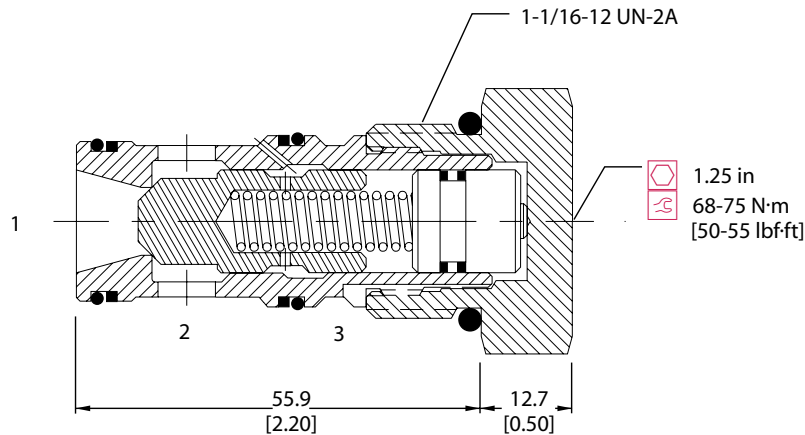
Rated pressure	210 bar [3000 psi]
Rated flow at 7 bar [100 psi]	60 l/min [16 US gal/min]
Leakage	6 drops/min @ Rated pressure
Weight	0.21 kg [0.47 lb]
Pilot ratio	2.3:1
Cavity	CP12-3S

Note: A piston seal requires a 4.5 bar [65 psi] or greater return spring.

DIMENSIONS

mm [in]

Cross-sectional view



ORDERING INFORMATION

CP461 - 1 - B - 12S - 065 - 0

Seals

B = Buna-N
V = Viton

Seal kit
120335
120336

Piston seals

0 = No seals
S = Seals included

Housing and ports

0 = No Housing
4B = Al, 1/2 BSP
6B = Al, 3/4 BSP
10S = Al, #10 SAE
12S = Al, #12 SAE

Housing P/N

No Housing
CP12-3S-4B/2B
CP12-3S-6B/2B
CP12-3S-10S/4S
CP12-3S-12S/4S

Crack Pressure

bar [psi]
065 = 4.48 [65]

Other housings available