



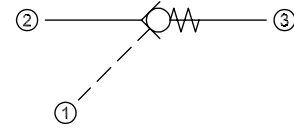
Pilot Operated Check Valves Technical Information

Pilot to Open RPC12

OPERATION

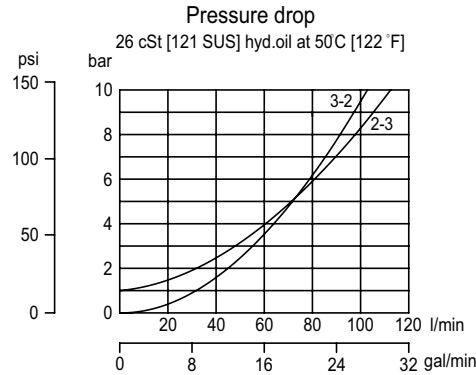
This is a pilot-to-open check valve.

Schematic



SPECIFICATIONS

Theoretical performance



Specifications

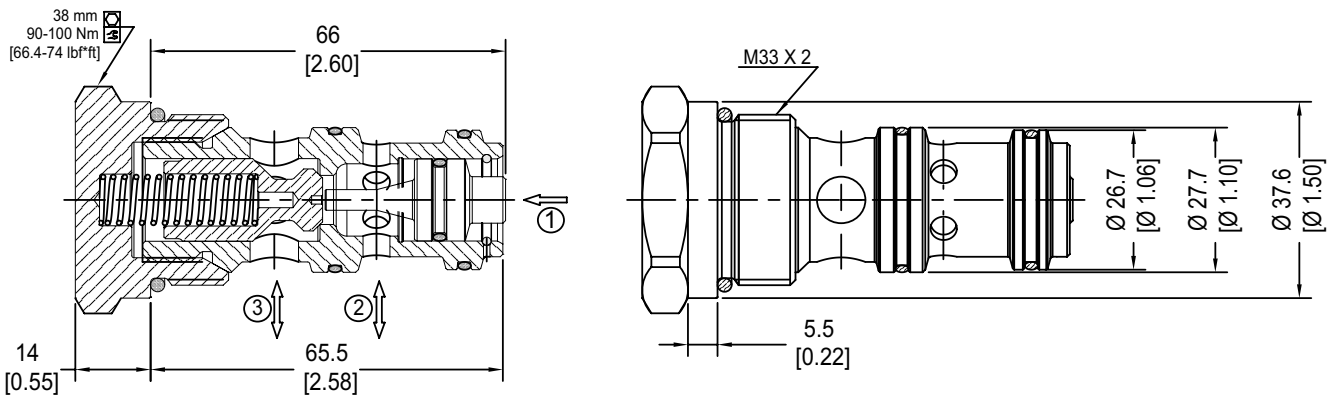
Rated pressure	315 bar [4570 psi]
Rated flow at 7 bar [100 psi]	90 l/min [23.8 US gal/min]
Weight	0.20 kg [0.44 lb]
Pilot ratio	2.8:1
Cavity	NCS12/3

Note: A piston seal requires a 5 bar [72.5 psi] or greater return spring.

DIMENSIONS

mm [in]

Cross-sectional view



ORDERING INFORMATION

RPC12-5-OR-00-V

Pilot to Open

Crack Pressure	
0.5	0.5 bar [7 psi]
2.5	2.5 bar [36.2psi]
5	5.0 bar [72.5 psi]
10	10 bar [145 psi]

Pilot Seal Option	
Omit	No Seals
OR	Seals

Seal Option	Seal Kit
Omit = Buna-N	230000130
V = Viton	230000360

Code	Ports & Material	Body Nomenclature
00	00 = Cartridge only	00 = Cartridge only
SE1/2	AL, 1/2 BSP	NCS12/3-SE-1/2
SE3/4	AL, 3/4 BSP	NCS12/3-SE-3/4
SE8S	AL, #8 SAE	NCS12/3-SE-8S
SE12S	AL, #12 SAE	NCS12/3-SE-12S

**Aluminum bodies are to be used for pressures less than 210 bar (3000 psi)
***Other housings available