



Pilot Operated Check Valves Technical Information

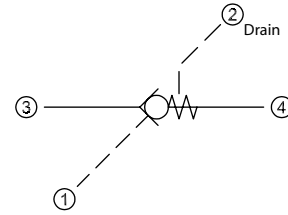
Pilot to Open with Drain

RPV 06

OPERATION

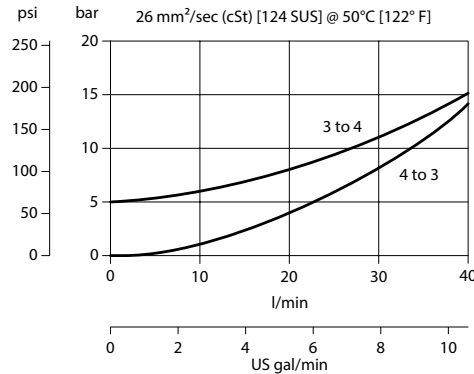
This is a pilot-to-open check valve with an internal drain.

Schematic



SPECIFICATIONS

Theoretical performance



Specifications

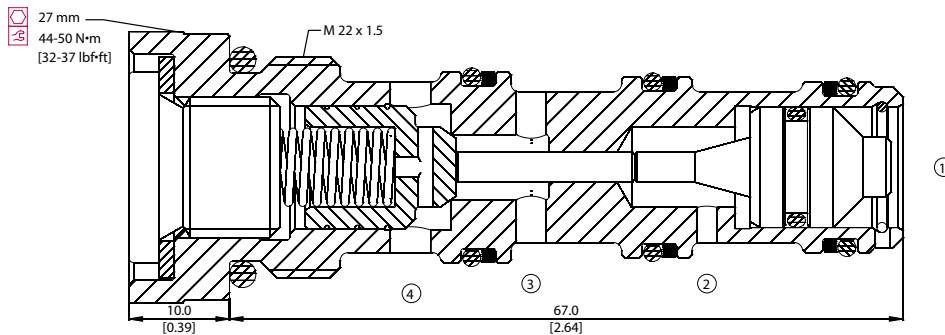
Rated pressure	315 bar [4500 psi]
Rated flow at 7 bar [100 psi]	30 l/min [8 US gal/min]
Weight	0.13 kg [0.29 lb]
Pilot ratio	3.4:1
Cavity	NCS06/4

Note: A piston seal requires a 4.5 bar [65 psi] or greater return spring.

DIMENSIONS

mm [in]

Cross-sectional view



ORDERING INFORMATION

RPV 06 - 5 - OR - 00 - V

Piston seals
OR = Seals
Omit = No seals

Housing and ports
00 = No Housing
L3/8 = AL, 3/8 BSP
L3/4 = AL, 3/4 BSP
L6S = AL, #6 SAE
L8S = AL, #8 SAE
Other housings available

Seals
V = Viton
Omit = Buna-N

Seal Kit
Consult factory
230000080

Housing P/N
No Housing
NCS06/4-L-3/8
NCS06/4-L-1/2
NCS06/4-L-6S
NCS06/4-L-8S