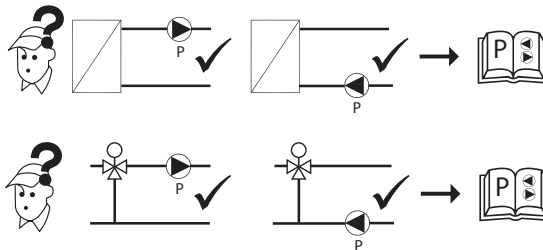
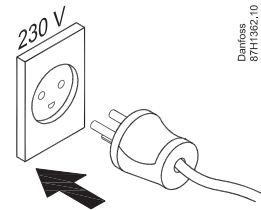
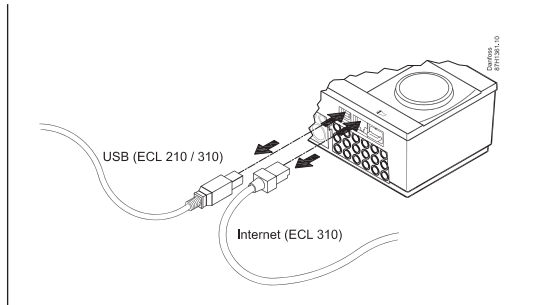
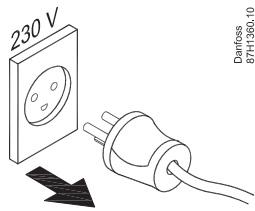
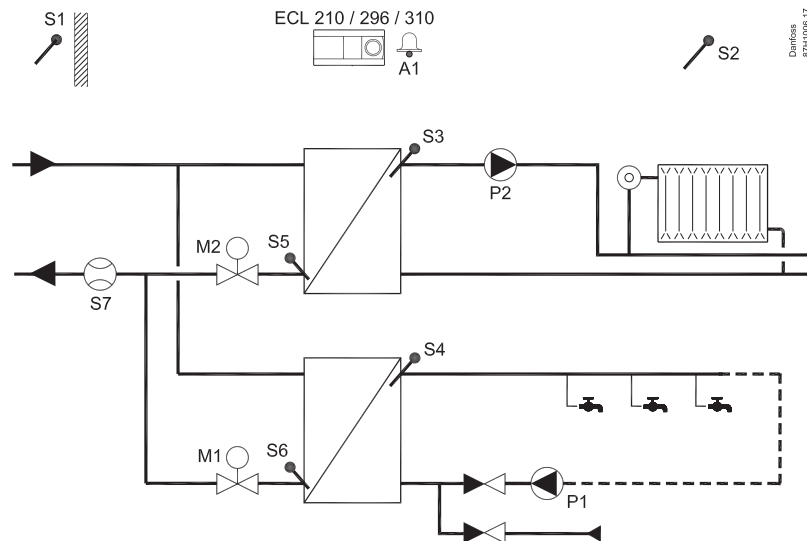


Content Guide




ECL Comfort 310, A266 kit (code no. 087H3100)

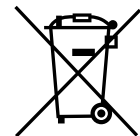


A266.1 (ex. a):



- 1 x 087H3040 ECL Comfort 310 230V
- 1 x 087H3230 for ECL Comfort 310
- 1 x 087H3800 A266
- 1 x 084N1012 ESMT (**S1**)
- 3 x 087B1165 ESM-11 (**S3 / S5 / S6**)
- 1 x 087B1182 ESMU 100 (**S4**)
- 1 x 082H0163 AMV435 230V (**M2**)
- 1 x 082G3011 AMV30 230V (**M1**)

- ?   **ECL Comfort 310, A266: www.heating.danfoss.com**
- ?   **<https://www.youtube.com/user/DanfossHeating>
-> **Playlists** -> **How-to Videos** -> **District Energy installation videos****



Danfoss A/S
Heating Segment • danfoss.com • +45 7488 2222 • E-Mail: heating@danfoss.com

Danfoss can accept no responsibility for possible errors in catalogues, brochures and other printed material. Danfoss reserves the right to alter its products without notice. This also applies to products already on order provided that such alterations can be made without subsequential changes being necessary in specifications already agreed. All trademarks in this material are property of the respective companies. Danfoss and all Danfoss logotypes are trademarks of Danfoss A/S. All rights reserved.