



OPERATION

The CP702-1 is a 16-size, normally-closed, pilot-to-close, spool-type,, spring biased differential-sensing logic element. It will modulate flow from 1 to 2 based on the spring control pressure, inlet pressure at port 1, and pilot pressure at port 3.

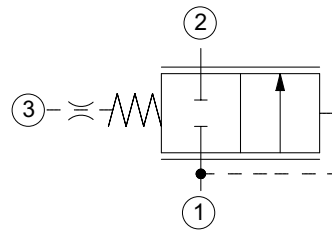
APPLICATION

Common applications include load-sensing bypass compensator for a fixed displacement pump with single or multiple actuators as well as bypass-type pressure-compensated flow control. Effective use of logic elements is a key to designing cost-effective circuits, and is limited only by the imagination of the designer.

SPECIFICATION

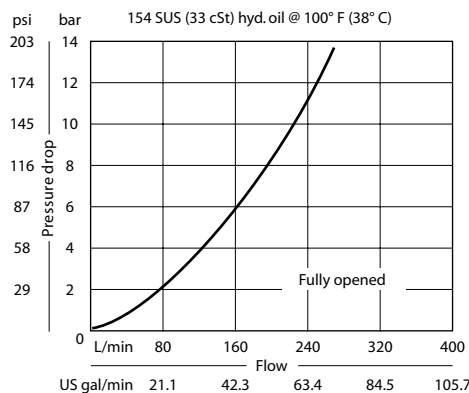
Rated pressure	210 bar [3045 psi]
Rated flow at 7 bar [100 psi]	190 l/min [50 US gal/min]
Weight	0.38 kg [0.83 lb]
Cavity	SDC16-35

SCHEMATIC



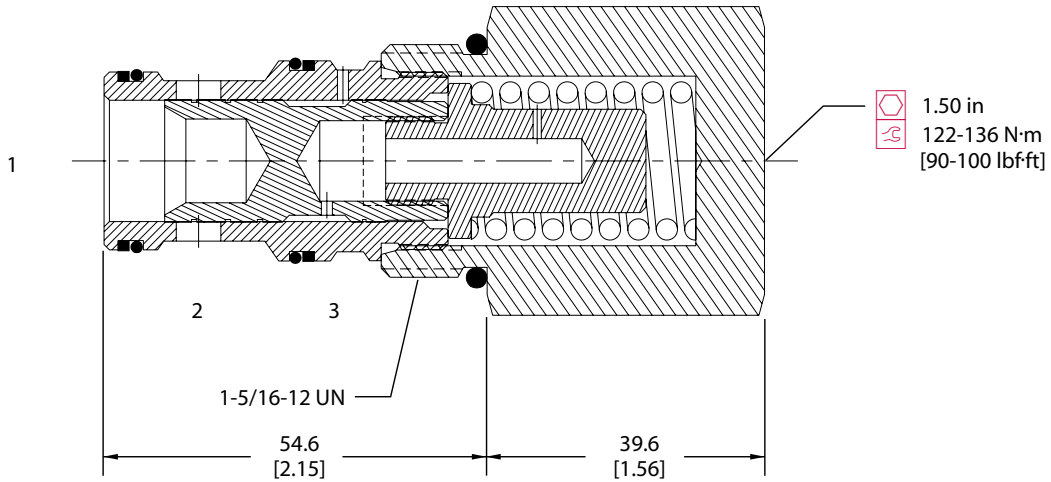
PERFORMANCE CURVE

Theoretical performance

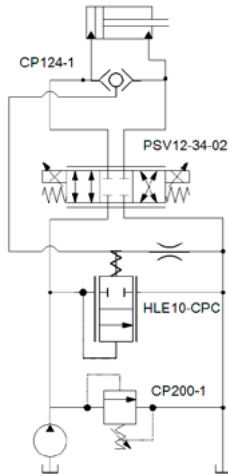


DIMENSION
mm [in]

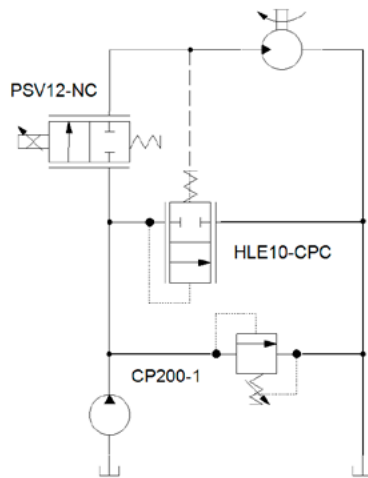
Cross-sectional view



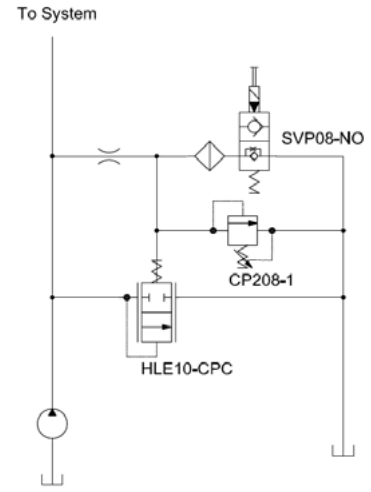
EXAMPLE CIRCUITS



Double Acting Cylinder with Proportional Speed Control, Unloading Valve and Circuit Relief



Proportional Bypass Flow Control



Dump and Relief Valve for a Fixed Pump

ORDERING INFORMATION

CP702-1 -B -16S -080

Seal Option

Code	Seal Material	Seal kit
B	Buna	120033
V	Viton	120034

Housings & Ports	Housing P/N	Pilot port
0: Cartridge Only	No Housing	
6B: 3/4 BSP, AL	CP16-3S-6B/2B	1/4 BSP
8B: 1 BSP, AL	CP16-3S-8B/2B	1/4 BSP
12S: #12 SAE, AL	CP16-3S-12S/4S	#4 SAE
16S: #16 SAE, AL	CP16-3S-16S/4S	#4 SAE

Other Housings available

Differential Control Pressure

Code	bar	[psi]
040	2.8	[40]
080	5.5	[80]
110	7.6	[110]
150	10.3	[150]
190	13.1	[190]