



# Logic Elements Technical Information

## Spool Type CP702-3

### OPERATION

The CP702-3 is a 16-size, normally open, pilot-to-close, spring-biased differential-sensing logic element. It will modulate flow from 2 to 1 based on the spring control pressure, outlet pressure at port 1, and pilot pressure at port 3.

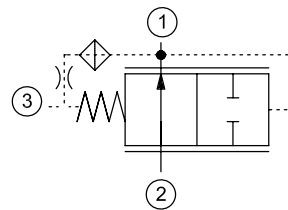
### APPLICATION

Common applications include: high-flow pressure reducing valve when using a small relief valve (like CP208-1), or a proportional relief valve (like PRV08-DAC) as a pilot element. Effective use of logic elements is a key to designing cost-effective circuits, and is limited only by the imagination of the designer.

### SPECIFICATION

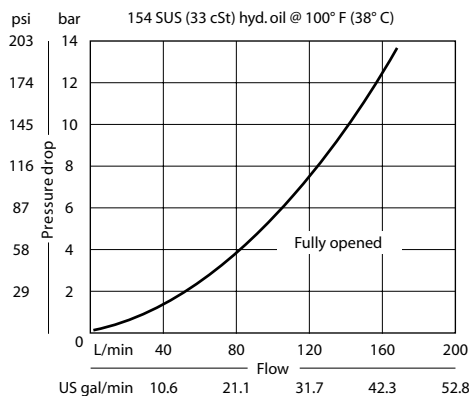
Rated pressure	210 bar [3045 psi]
Rated flow at 7 bar [100 psi]	115 l/min [30 US gal/min]
Weight	0.38 kg [0.83 lb]
Cavity	<b>SDC16-3S</b>

### SCHEMATIC



### PERFORMANCE CURVE

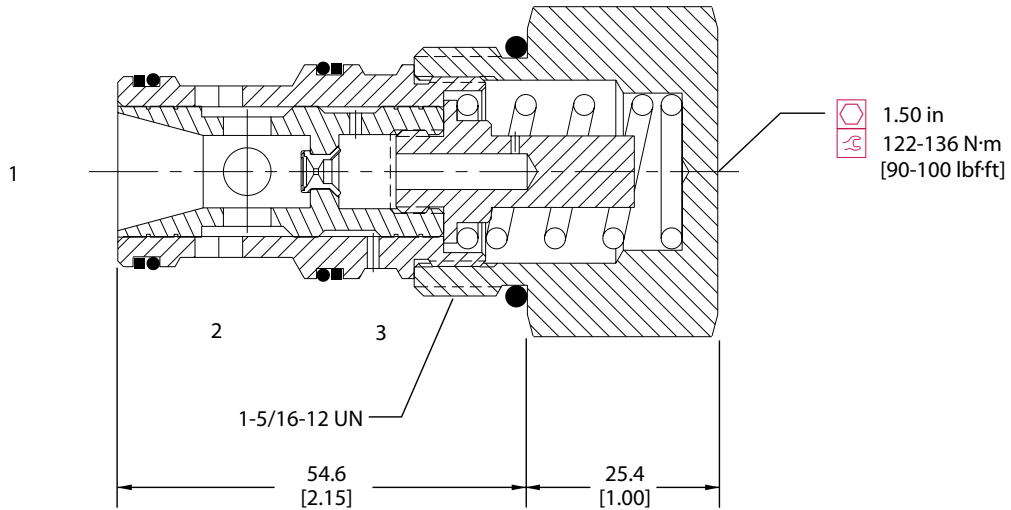
#### Theoretical performance



### DIMENSION

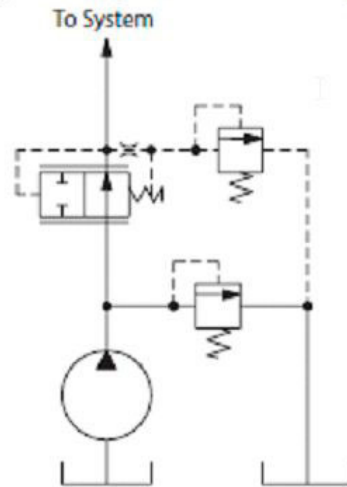
mm [in]

### Cross-sectional view



### EXAMPLE CIRCUITS

### Pilot-operated pressure reducing valve



### ORDERING INFORMATION

### CP702-3 - B - 16S - 080

#### Seal Option

Code	Seal Material	Seal kit
B	Buna	120033
V	Viton	120034

Housings & Ports	Housing P/N	Pilot port
0: Cartridge Only	No Housing	
6B: 3/4 BSP, AL	CP16-3S-6B/2B	1/4 BSP
8B: 1 BSP, AL	CP16-3S-8B/2B	1/4 BSP
12S: #12 SAE, AL	CP16-3S-12S/4S	#4 SAE
16S: #16 SAE, AL	CP16-3S-16S/4S	#4 SAE

Other Housings available

#### Differential Control Pressure

Code	bar	[psi]
040	2.8	[40]
080	5.5	[80]
110	7.6	[110]
150	10.3	[150]
190	13.1	[190]