



# Logic Elements Technical Information

## Spool Type CP703-2

### OPERATION

The CP703-2 is a 20-size, normally closed, vent-to-open, spring-biased differential-sensing logic element. It will modulate flow from 1 to 2 based on the spring control pressure, inlet pressure at port 1, and pilot pressure at port 3.

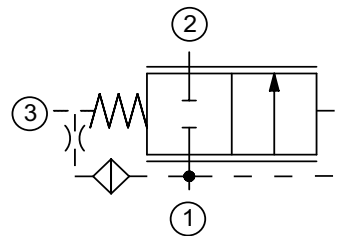
### APPLICATION

Common applications include: pump unloading, pilot-operated relief valve (mechanical or proportional), sequence valve and selector circuit. Effective use of logic elements is a key to designing cost-effective circuits, and is limited only by the imagination of the designer.

### SPECIFICATION

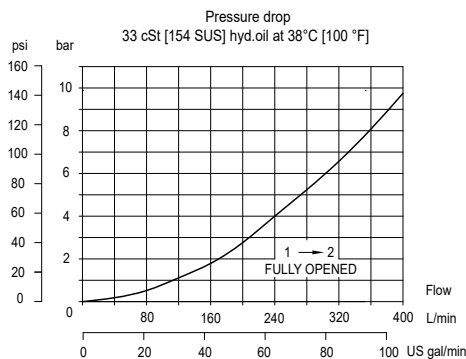
Rated pressure	210 bar [3045 psi]
Rated flow at 7 bar [100 psi]	340 l/min [90 US gal/min]
Weight	1.18 kg [2.60 lb]
Cavity	<b>CP20-3S</b>

### SCHEMATIC



### PERFORMANCE CURVE

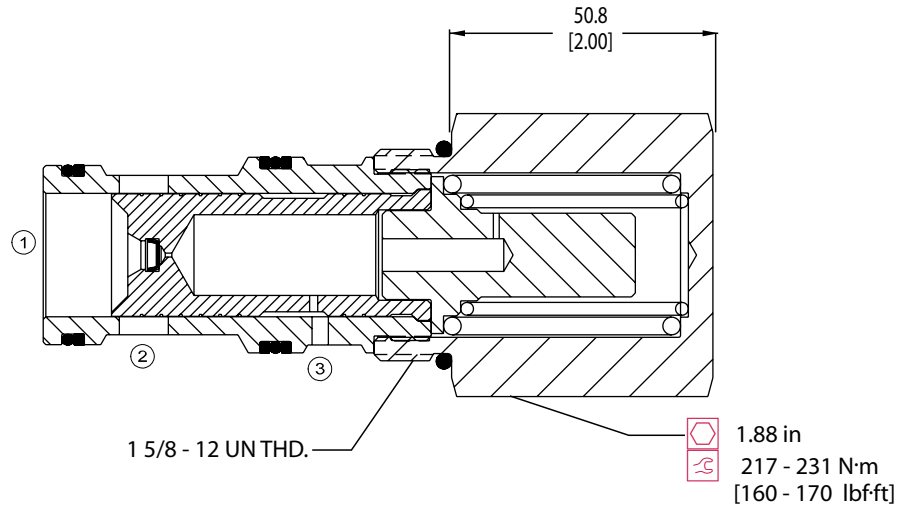
#### Theoretical performance



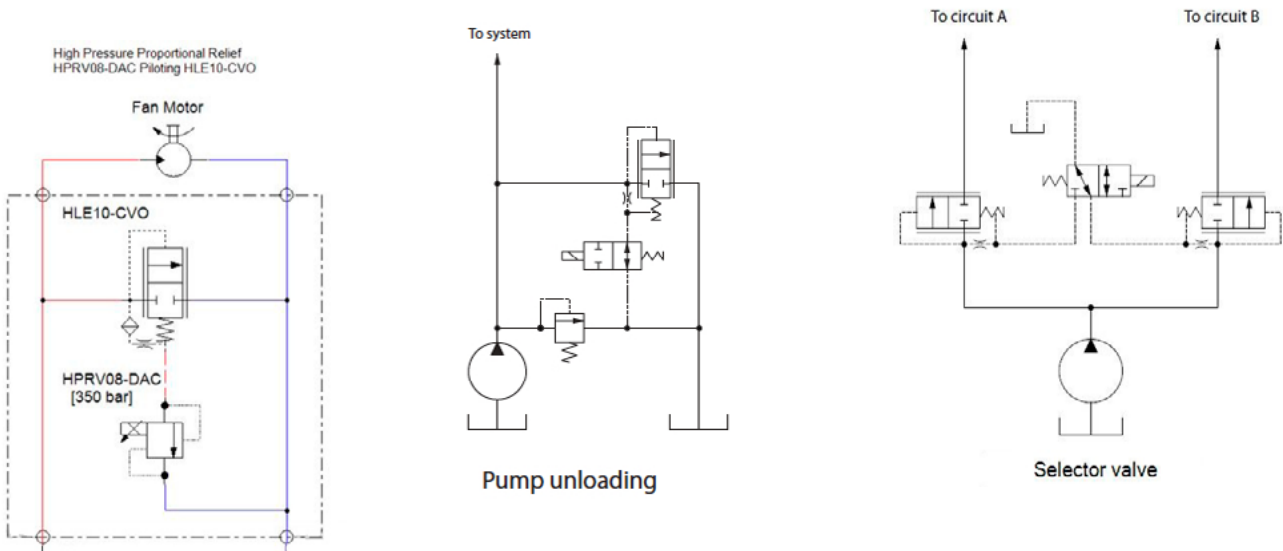
### DIMENSION

mm [in]

### Cross-sectional view



### EXAMPLE CIRCUITS



### ORDERING INFORMATION

		CP703 - 2 - B - 16S - 080	
<b>Seals</b>			<b>Differential control pressure</b>
B = Buna-N	Seal kit		050 = 3.4 [50]
V = Viton	120380		080 = 5.5 [80]
	120381		100 = 6.9 [100]
<b>Housing and ports</b>	<b>Housing P/N</b>	<b>Pilot port</b>	130 = 9.0 [130]
0 = No housing	No housing		150 = 10.3 [150]
8B = AL, 1 BSP	CP20-3S-8B/2B = 1/4 BSP		
10B = AL, 1-1/4 BSP	CP20-3S-10B/2B = 1/4 BSP		
16S = AL, #16 SAE	CP20-3S-16S/4S = #4 SAE		
20S = AL, #20 SAE	CP20-3S-20S/4S = #4 SAE		
other housings available			