



Logic Elements Technical Information

Spool Type HLE10-OVC

OPERATION

The HLE10-OVC is a 10-size, normally open, vent-to-close, spring-biased differential-sensing logic element. It will modulate flow from 2 to 1 based on the spring control pressure, outlet pressure at port 1, and pilot pressure at port 3.

APPLICATION

Common applications include: high-flow pressure reducing valve when using a small relief valve (like CP208-1), or a proportional relief valve (like PRV08-DAC) as a pilot element. Effective use of logic elements is a key to designing cost-effective circuits, and is limited only by the imagination of the designer.

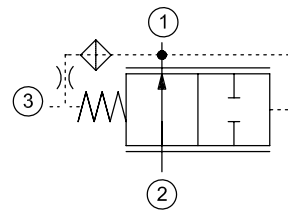


SPECIFICATION

Rated pressure*	350 bar [5075 psi]
Rated flow at 7 bar [100 psi]	60 l/min [15.8 US gal/min]
Weight	0.14 kg [0.31 lb]
Cavity	SDC10-35

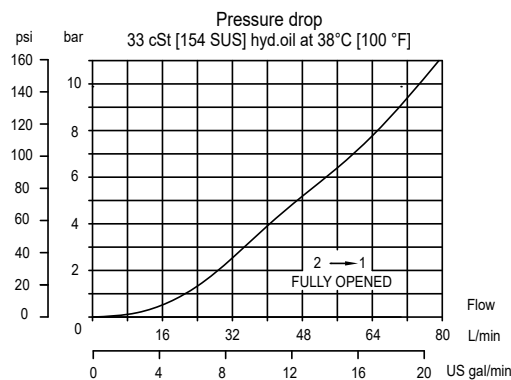
* Rated Pressure based on NFPA fatigue test standards (at 1 Million Cycles).

SCHEMATIC



PERFORMANCE CURVE

Theoretical performance



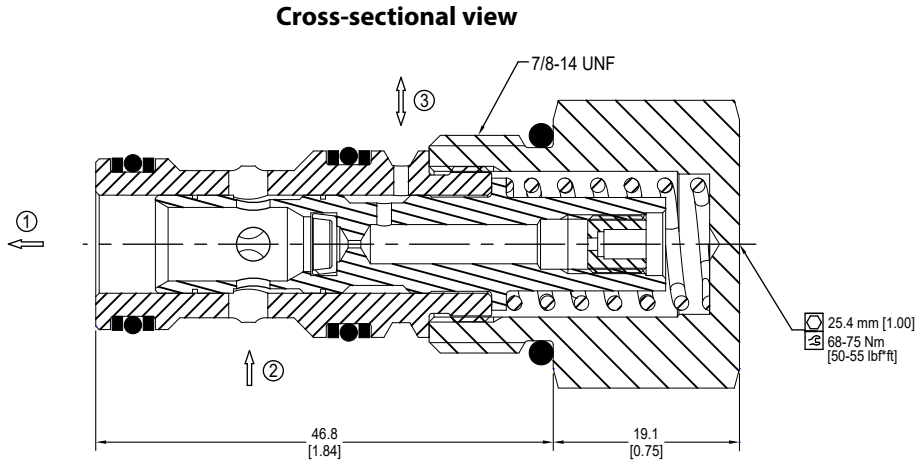


Logic Elements Technical Information

Spool Type HLE10-OVC

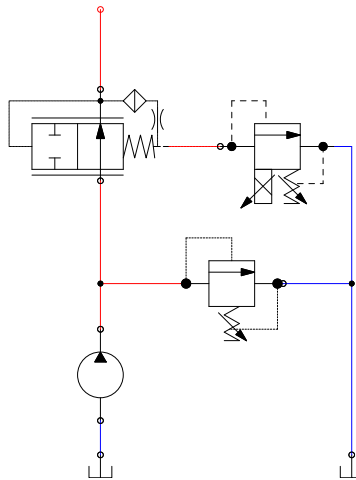
DIMENSION

mm [in]



EXAMPLE CIRCUITS

Pilot-Operated Pressure Reducing Valve



ORDERING INFORMATION

HLE10 - OVC - 2.75 - B - 00

HLE10: High pressure, logic element, 10-size

OVC: Normally open, vent to close

Differential Control Pressure

Code	Pressure
2.75	2.75 bar [40 psi]
5.5	5.5 bar [80 psi]
7.5	7.5 bar [110 psi]
10.0	10.0 bar [150 psi]
14.0	14.0 bar [200 psi]
19.0	19.0 bar [225 psi]

Seals

Code	Seal Material	Seal kit
B	Buna	11126248
V	Viton	11126249

Housings

Code	Ports and Material	Housing P/N
00	Cartridge Only	No Body
6S	AL, #6 SAE	SDC10-3S-6S
8S	AL, #8 SAE	SDC10-3S-8S
3B	AL, 3/8 BSP	SDC10-3S-3B
4B	AL, 1/2 BSP	SDC10-3S-4B
S6S	STEEL, #6 SAE	SDC10-3S-S6S
S8S	STEEL, #8 SAE	SDC10-3S-S8S

*** Aluminum bodies are for use in lower pressure applications only [less than 210 bar (3000 psi)].