



Logic Elements Technical Information

Poppet Type VLP 12/A5

OPERATION

The VLP 12/A5 is a metric 12-size, normally-closed, pilot-to-close, poppet-type, spring biased differential-sensing logic element. It will provide on/off flow control from 1 to 2 based on the spring control pressure, inlet pressure at port 1, and pilot pressure at port 3.

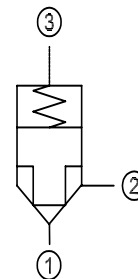
APPLICATION

The valve provides on/off, leakage-free control, suitable for use as a high flow check valve when piloted with a small check valve; or a high flow directional valve when piloted with a directional solenoid valve, using four VLP 12/A5 valves. Effective use of logic elements is a key to designing cost-effective circuits, and is limited only by the imagination of the designer.

SPECIFICATION

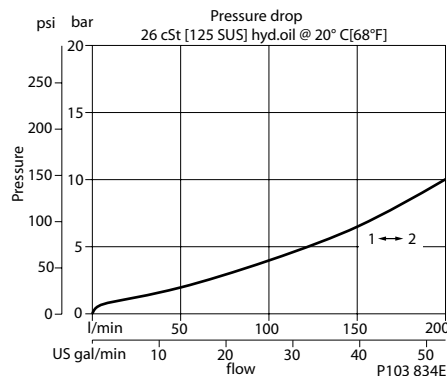
Rated pressure	315 bar [4500 psi]
Rated flow at 7 bar [100 psi]	160 l/min [42 US gal/min]
Weight	0.30 kg [0.66 lb]
Cavity	NCS12/3
Bias spring	2 bar [29 psi]

SCHEMATIC



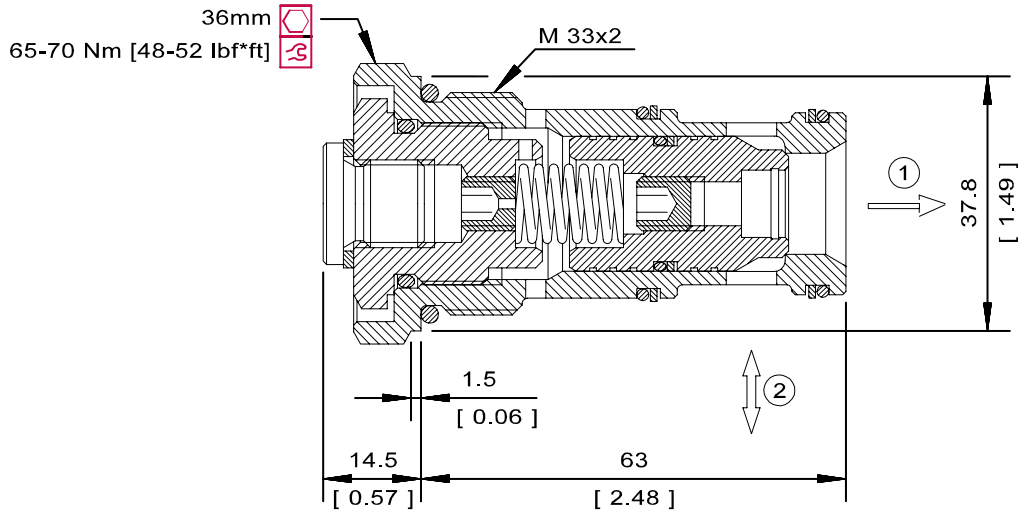
PERFORMANCE CURVE

Theoretical performance



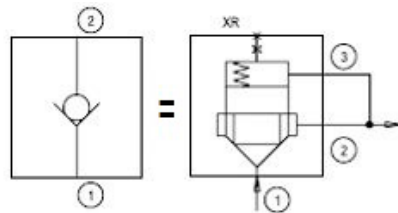
DIMENSION
mm [in]

Cross-sectional view

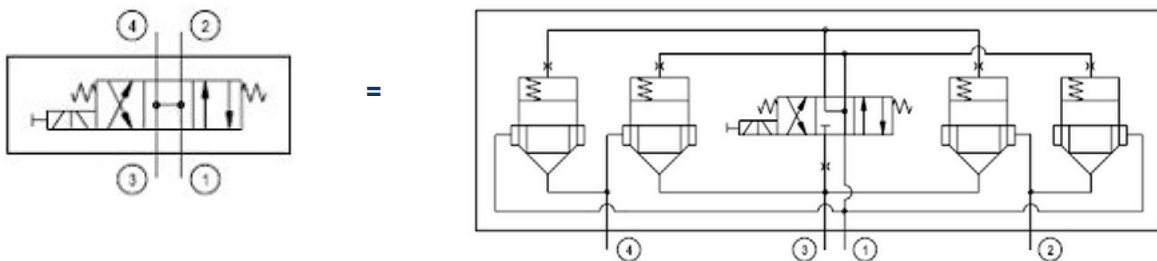


EXAMPLE CIRCUITS

Check Valve



4-3 Way On-Off Valve



ORDERING INFORMATION

VLP 12/A5 - B - SE8S - V

Seals

V = Viton
Omit = Buna-N

Seal kit
230000360
230000130

Housing and ports

00 = No Housing
SE1/2 = AL, 1/2 BSP
SE3/4 = AL, 3/4 BSP
SE8S = AL, #8 SAE
SE12S = AL, #12SAE
Other housings available

Housing P/N

No Housing
NCS12/3-SE-1/2
NCS12/3-SE-3/4
NCS12/3-SE-8S
NCS12/3-SE-12S